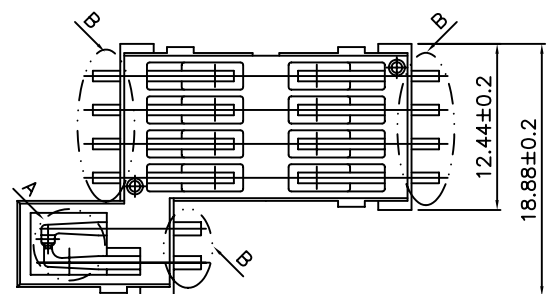
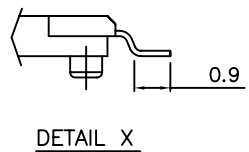
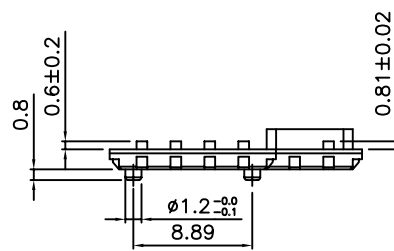
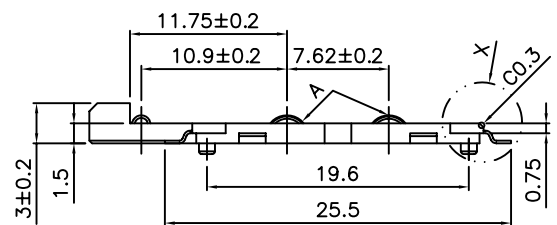
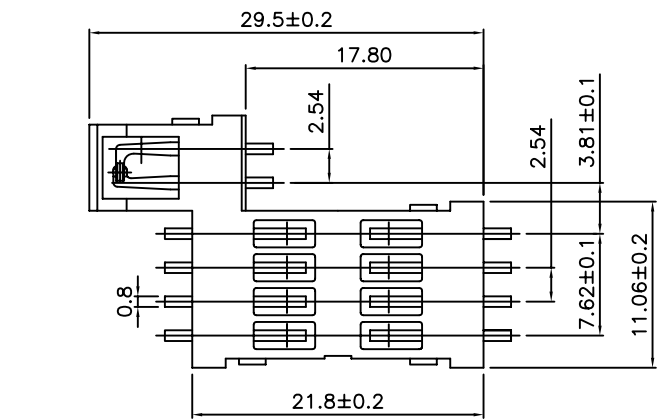
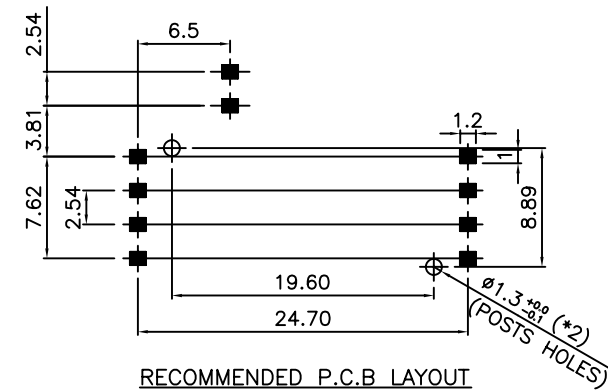


C700-110T-TK5705	NL-6T.BLACK,PB,G=50u" ALL.L/F.
PRODUCT NO.	SPECIFICATION



- NOTES:
- MATERIAL:
HOUSING : HIGHT TEMP.,UL94V-0, BLACK COLOR
CONTACTS : PHOSPHOR BRONZE.
 - FINISH :
CONTACT : 50μ" MIN. GOLD PLATED OVERALL.
50μ" MIN. NICKEL UNDERPLATED OVERALL.
 - CARD DELECTION SWITCH:NORMALLY OPEN



PRELIMINARY

LTR	REVISION RECORD	DATE
-----	-----------------	------

ANGLES: ±3°		DECIMALS: .X=±0.38, .XX=±0.25	
DR	APP	CONSER® Conser Precision Electronics Co., Ltd.	
CHK	DATE 95/02/28		
FILE NO.	AC700-01005	SIZE A4	REV 1
SCALE 1:1	NAME SMART CARD SMT CONNECTOR LEAD FREE		
FILE ADD. ENGINEER\E\EG\DWG\C\C700\			