

TPS/DBZ 系列旋涡泵 SERIES SELF-PRIMING PERIPHERAL PUMPS



WORKING CONDITIONS

Max Temperature of Fluid up to +80°C
Max Pressure 10bar,
Max Ambient Temperature up to 40°C

工作条件:

最高流体温度为80℃
最大可承受的压力10bar
最高环境温度40℃

With a small tank over its impeller, TPS/DBZ series pumps are a good solution for self-priming. And it is also with peripheral impeller and gain high pressures relative and its curves are steep particularly.

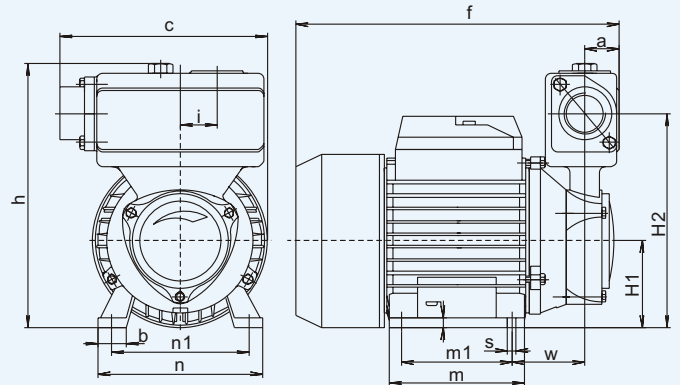
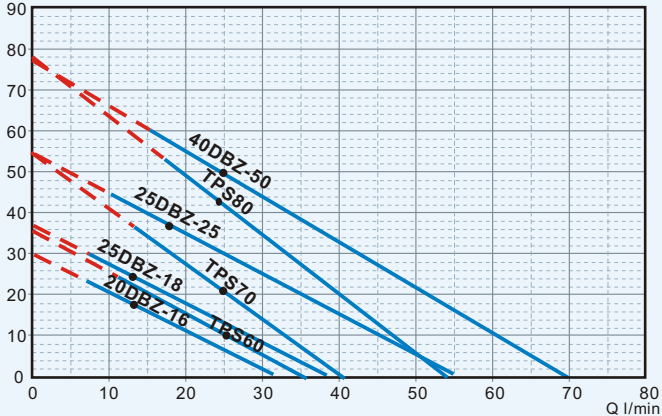
The wide range of TPS/DBZ series meets the most different operating requirements such as: Supply water from well, pool and so on, increase the water pressure in the pipe, garden sprinkling or clean washing.

These pumps should be installed in a covered area, protected against the weather.

TPS/DBZ 系列电泵的叶轮上方带有一个小罐可以实现自吸功能，可获得较高的扬程，其特性曲线陡。TPS/DBZ 系列电泵应用广泛，如可用于深井或水池中抽水、自来水管增压、园艺用水及清洁冲洗等。



H m PERFORMANCE CHART AT n=2900r/min 折算到2900r/min时性能



DIMENSIONS 安装尺寸

TYPE 型号	Dimensions 外形尺寸mm														Weight重量 (kg)		Packing Size 包装尺寸(mm)			Packing QTY. 包装数量	
	a	f	h	H1	H2	i	C	m	m1	n	n1	w	b	g	s	NW	GW	L	W	H	20'Cont 20'柜
TPS60	25	240	198	63	164	25	145	98	80	120	100	63	22	8	7	6.5	7.1	285	175	240	2550
TPS70	28	265	216	71	175	30	170	110	90	134	112	60	23	8	7	8.7	9.7	310	210	255	1850
TPS80	28	265	216	71	175	30	170	110	90	134	112	60	23	8	7	9.5	10.2	310	210	255	1850
20DBZ-16	42	245	190	63	128	40	145	100	70	123	96	64	25	6	9	6.4	7.3	260	190	220	2600
25DBZ-18	45	260	210	63	160	35	160	100	80	120	100	72	23	7.5	9	8.4	9.1	290	200	245	1800
25DBZ-25	45	270	220	71	171	36	172	110	90	135	112	77	25	9	10	11	11.8	330	200	2345	1500
40DBZ-50	47	325	261	80	212	40	195	130	100	152	125	96	25	10	11	24	25	340	220	285	700

TECHNICAL DATA 技术参数

TYPE 型号	Input Power 输入功率		Current 电流 (A)	Capacitor 电容器 (F)	H.max 最高扬程 (m)	Q.max 最大流量 (l/min)	Size 进出口径 (inch)	S.Head 最大吸程 (M)	Total head 总扬程 (m)	Capacity 流量 l/min												
	KW	HP								5	10	20	30	40	50	60	70					
TPS60	0.37	0.5	1.5	8	36	35	1"X1"	9	32	32	26	16	6	-	-	-	-	-	-	-	-	
TPS70	0.55	0.75	2.4	12	55	40	1"X1"	9		48	40	28	14	1	-	-	-	-	-	-	-	-
TPS80	1.1	1.5	4.6	20	78	53	1"X1"	9		71	64	49	34	19	4	-	-	-	-	-	-	-
20DBZ-16	0.25	0.33	1.2	6	29	32	3/4"X3/4"	9		25	20	11	2	-	-	-	-	-	-	-	-	-
25DBZ-18	0.37	0.5	1.8	8	35	38	1"X1"	9		28	21	14	4	-	-	-	-	-	-	-	-	-
25DBZ-25	0.55	0.75	3.7	16	50	45	1"X1"	9		45	40	28	18	6	-	-	-	-	-	-	-	-
40DBZ-50	1.5	2	6.4	30	75	70	1.5"X1.5"	9		71	65	54	44	33	22	12	12	12	12	12	12	1

标准的电参数及零件配置：单相220V/50Hz、铜叶轮、碳钢轴、马达内置热保护器。可根据客户的其它参数及材料的要求，制作其它单、三相电压、60Hz、双电压、不锈钢轴等规格的产品。
Standard data and equipment: single phase 220V/50Hz, Brass impeller, carbon steel motor shaft, with motor protector inside.
Others model and material such as three phase, 110V, 60Hz, dual voltage, stainless steel shaft, etc, will be available upon request.