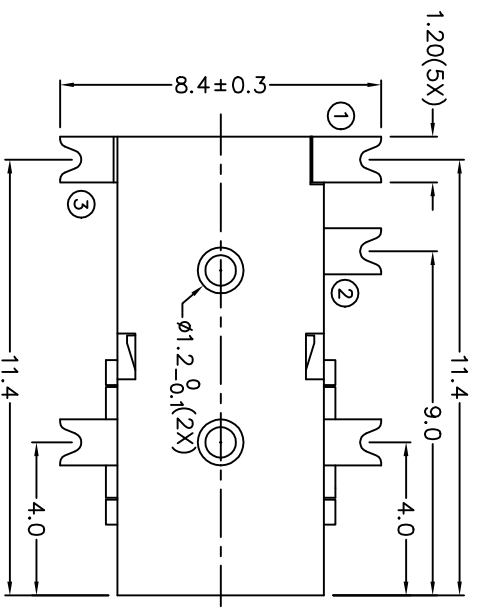
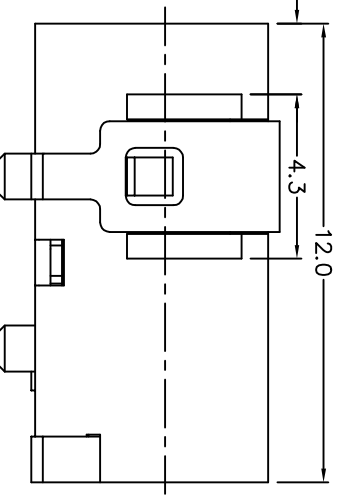
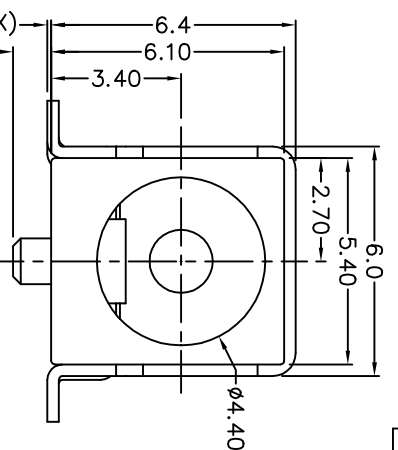
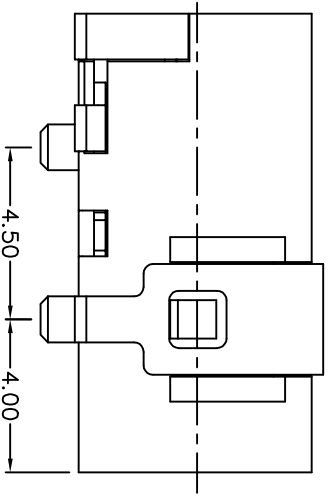


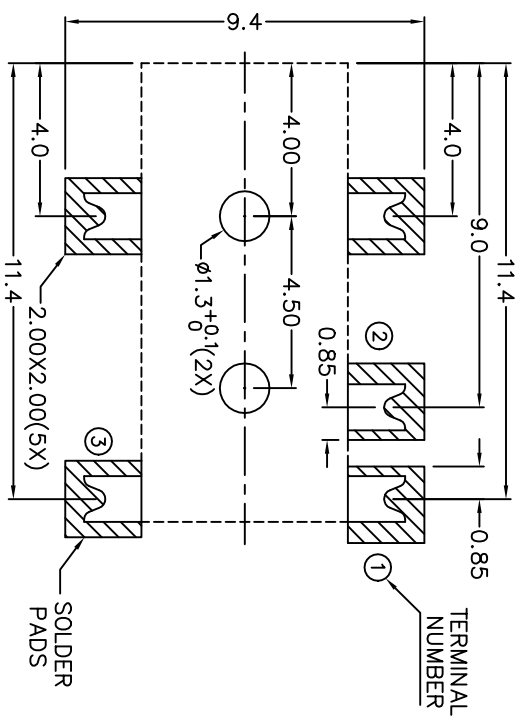
C		B		A	
ZONE	SYMBOL	REVISION	APPROVAL	DATE	



* MATERIAL

TERMINAL 1 : BRASS
 TERMINAL 2 : COPPER ALLOY
 TERMINAL 3 : BRASS
 SHIELD : BRASS
 HOUSING : PA6T

MODEL NO.	TDC-059DS
SCHEMATIC	
CENTER PIN	∅1.65mm



SPECIFICATIONS

- Insulation resistance of adjacent open terminals shall not be less than 50 Megohms when measured with 500 Volts resistance meter.
- Connector shall withstand 500 Volts (RMS) between adjacent open terminal for one minute.
- Contact resistance of normally closed terminals shall not exceed 0.05 ohms when measured at a current of one Ampere by Voltage drop method.
- Connector shall withstand 5,000 cycles of insertions and withdrawal with testing plug, contact resistance shall not exceed 0.1 ohm.

TECHNIK INDUSTRIAL CO.,LTD.

PART NAME	SMD DC POWER SOCKET	TOLERANCE UNLESS	0.0±0.2	UNIT:		DESIGN	J.X.KUANG	DATE	18-9-2004	SCALE	5:1
PART NO.	TDC-059DS	OTHERWISE SPECIFIED:	0.00±0.1			DRAWING	J.X.KUANG	DATE	18-9-2004	MATERIAL	*
			0.000±0.05	mm		CHECK		DATE		DWG. NO.	17\DC059DS-PA6T
						APPROVAL		DATE		SHEET	