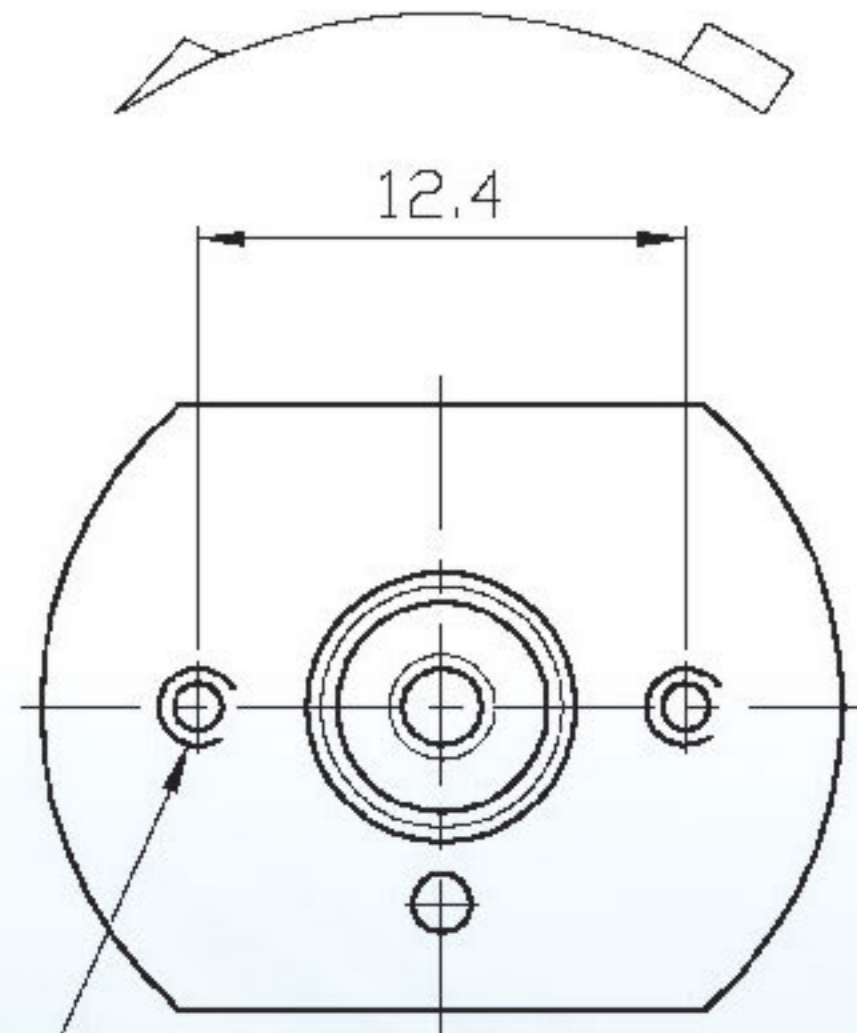
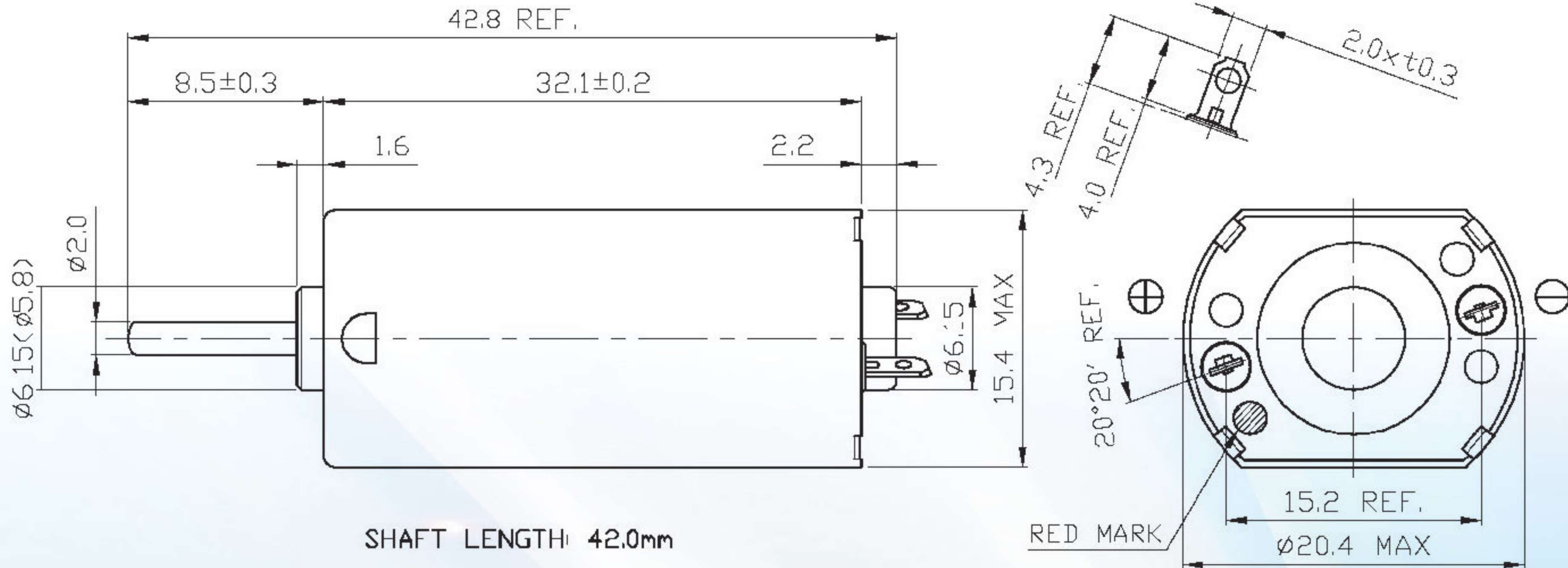


DIRECTION OF ROTATION



M2.0x0.4 TAPPED HOLES  
2 PLACES



SHAFT LENGTH: 42.0mm

RED MARK