

UEC05-SPC/UEC10-SPC

USB Car Cigarette Charger

5/10 Watt



• Technical data

Input voltage	12V-24V DC
Input current	0.65A (UEC05-SPC), 1.1A (UEC10-SPC)
Efficiency	70% typ. at full load
Output voltage tolerance	± 5%

• Environmental specification

Operation temp.	0°C to 40°C at maximum load
Storage temp.	-20°C to 80°C
Humidity	10% to 90% non condensing

• Safety specification

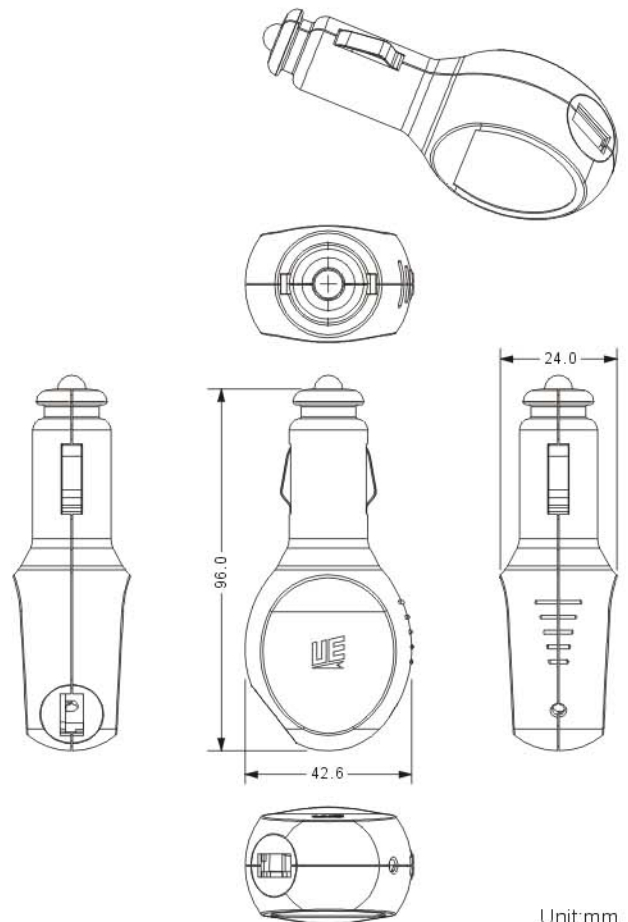
Safety approval	72/245/EEC
-----------------	------------

• Reliability specification

MTBF calculation	50,000 hours at maximum load levels and an ambient temperature of 25°C (in correspondence with MIL-HDBK-217)
------------------	--

• Mechanical specification

Weight	41.5 g
Dimensions	96.0mm x 42.6mm x 24.0mm (3.78" x 1.68" x 0.95")



Unit:mm

Output Data

Model	Voltage (V)	Current (A)	Ripple (mV)
UEC05-050YYYSPC	5.0	0.01-1.0	200

YYY: 001-100 stands for current: 0.01A- 1.0A

Model	Voltage (V)	Current (A)	Ripple (mV)
UEC10-050YYYSPC	5.0	0.01-2.0	200

YYY: 001-200 stands for current: 0.01A-2.0A



東莞市石龍富華電子有限公司

中國廣東省東莞市石龍鎮新城區黃洲祥龍路富華電子工業園

Fuhua Electronic Industrial Park, Xianglong Road, Huangzhou, New Town District, Shilong Town, Dongguan, Guangdong Province, China. 523326
Tel: (86) 769 8602222 Fax: (86) 769 8602333
www.fuhua-cn.com E-mail: fuhua@fuhua-cn.com

Fuhua Electronic (HK) Co., Ltd.

香港九龍彌敦道27-33號良士大廈9樓H室

Flat H, 9/F., Alpha House, 27-33 Nathan Road, Kowloon, Hong Kong.
Tel: (852) 27391666 Fax: (852) 27395999
www.fuhua.com.hk E-mail: fuhua@fuhua.com.hk