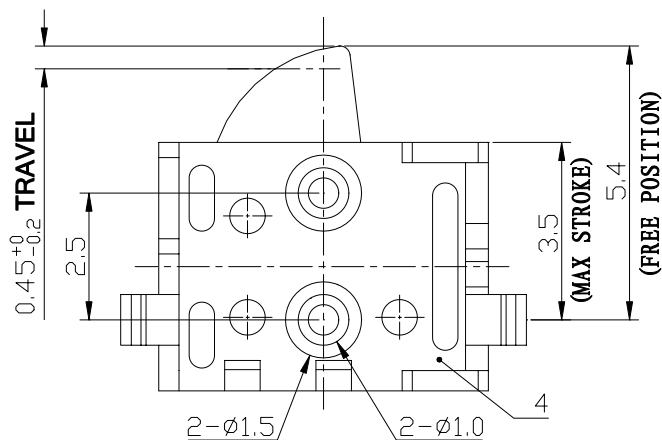
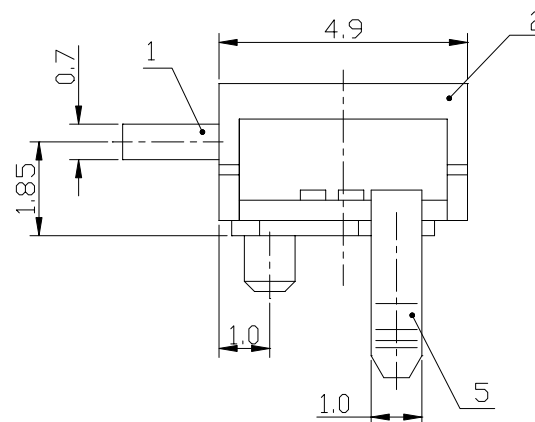
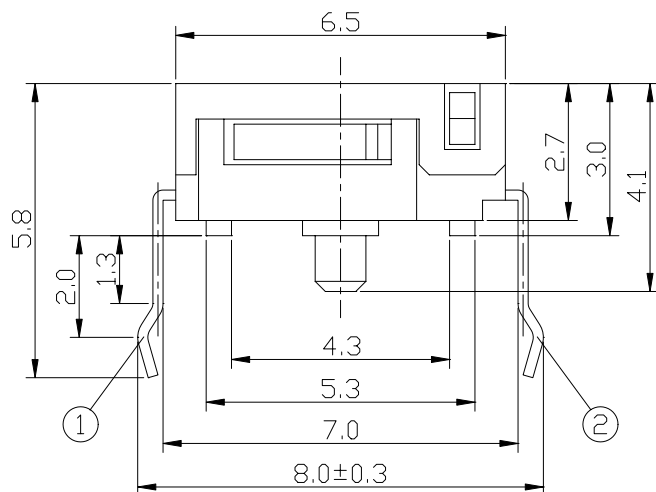


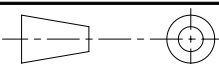
SCHEMATIC



KWAN DA INDUSTRIAL CO., LTD.

TITLE : MICRO SWITCH

MODEL : MX-070 (W009)



TOLERANCE
 ≤ 1.5mm 0.1
 > 1.5mm 0.2

ANGLE TOL
 氣2

UNIT : MM	DWN.	DATE
SCALE : 7 : 1	CHK'D	DATE
VERSION 01	APPD.	DATE

NO.	PART NAME	MATERIAL	QTY.	FINISHING
5	TERMINAL	0.2mm BRASS STRIP	2	Ag PLATED
4	CASE	PBT	1	BLACK
3	CONTACT	0.06mm PBS STRIP	1	Ag CLAD
2	COVER	POM	1	BLACK
1	KNOB	POM	1	WHITE