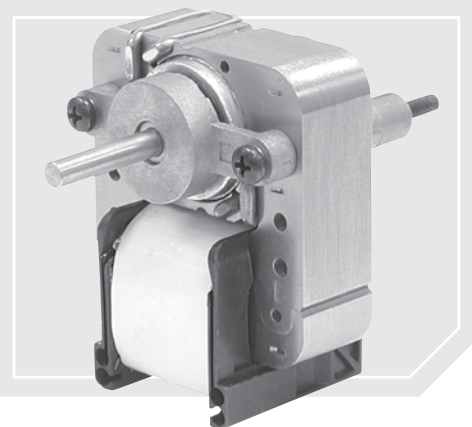
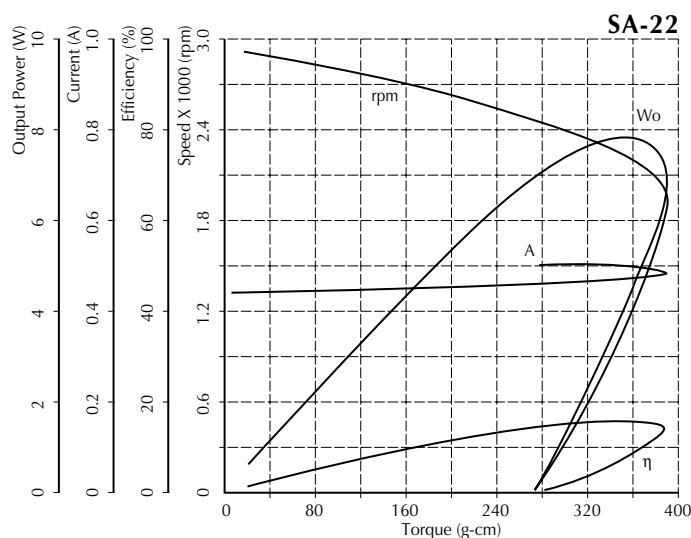


Shaded Pole Motor - SA Series

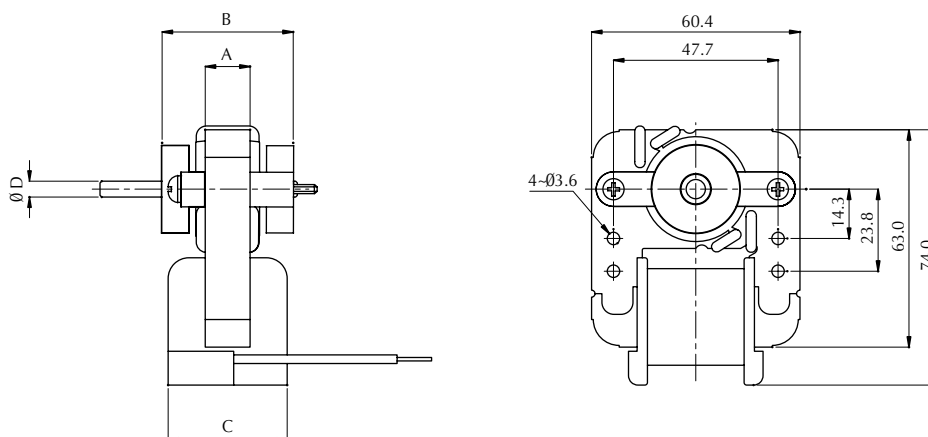
Voltage : 100 - 240V AC (50-60 Hz)
 Rated Speed : 3400 rpm max
 Insulation Class : A, B, F, H
 Typical Applications : Can Opener, Induction Cooker, Oven, Air Fresher,
 Air Purifier, Evaporator Fan, Condenser Fan, Humidifier,
 Ventilator, Air Pump, Water Pump, Pencil Sharpener



Performance Curve



Dimension (mm)



Performance (testing under room temperature)

Model	Dim A	Dim B	Dim C	Dim D	Rated Torque/ g-cm	Rated Input Power/ W	Rated Output Power/ W
SA-10	10	35	31.5	4.61 - 6.35	65 - 125	9 - 22	1.2 - 3.1
SA-13	13	38	34.5	4.61 - 6.35	100 - 235	13 - 33	2.3 - 5.8
SA-16	16	41	37.5	4.61 - 6.35	125 - 340	15 - 38	2.9 - 8.5
SA-20	20	45	41.5	4.61 - 6.35	190 - 405	20 - 45	5.0 - 12.3
SA-22	22	52	45.5	4.61 - 6.35	210 - 425	22 - 47	6.0 - 13.0
SA-25	25	53	46.5	4.61 - 6.35	235 - 490	24 - 50	6.5 - 14.0
SA-30	30	55	53.0	4.61 - 6.35	315 - 615	30 - 61	8.3 - 16.8
SA-38	38	66	60.5	4.61 - 6.35	415 - 950	42 - 84	13.0 - 26.6
SA-51	51	76	74.0	4.61 - 6.35	500 - 1100	78 - 118	17.0 - 36.6

The information above is for reference only, detailed specification is subject to final confirmation

Email: sales@cclmotors.com Web site: <http://www.cclmotors.com>

4/F, No. 6, On Lok Mun Street, On Lok Tsuen, Fanling, Hong Kong. Tel: (852) 3125 0000 Fax: (852) 3125 0125