

Intelligent switches base on PLC technology and can communicate with each other. Compare with the traditional manual switch, intelligent switches product can be installed with neutral wire needed and without extra wiring needed. The socket is movable, and will work when plug in the wall-mounted socket.

## 1-GANG ON/OFF SWITCH

### Technical Specification

Operating current: 5.5A-1.35AX

Maximum Load: 1200W for Incandescent Lamp and 300W for others

Operating Voltage: 85~ 264 AC 50Hz

Load Type: Incandescent Lamp, Fluorescent Lamp, Low Voltage Halogen, Halogen, Energy, Saving Lamp, Compact Fluorescent, Cold Cathode Neon, etc.

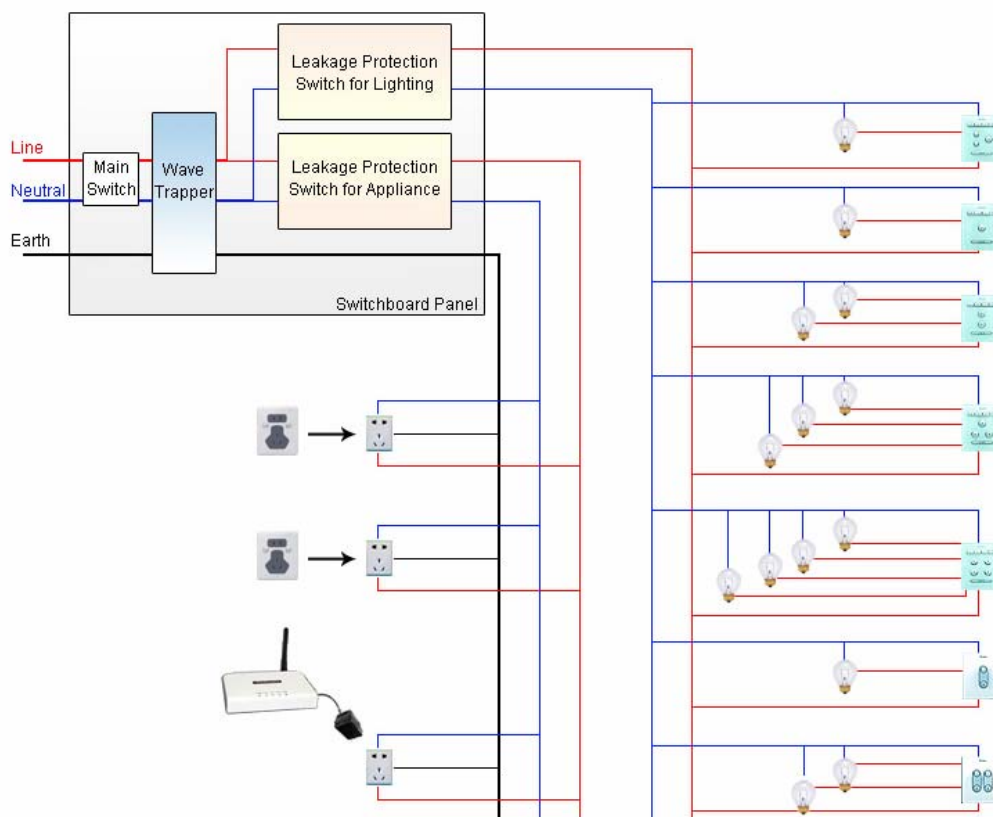
Internal Dimensions: 68mm (H) x 68mm (W) x 35mm (D)

### Remark:

Wave Trapper should be installed into Switchboard Panel, behind the Main Switch and before the Leakage Protection Switch Line, Neutral and Earth wire is necessary.

The installation of Topband Intelligent Switches and Filter Switches based on Neutral and Line wire, no extra wiring, they will work

The Intelligent Socket and Wireless Gateway are plug-and-play, and will work when plug in the wall-mounted socket.



Except for basic functions, different function could be custom-tailored; we could provide changes, as you need and customized services.