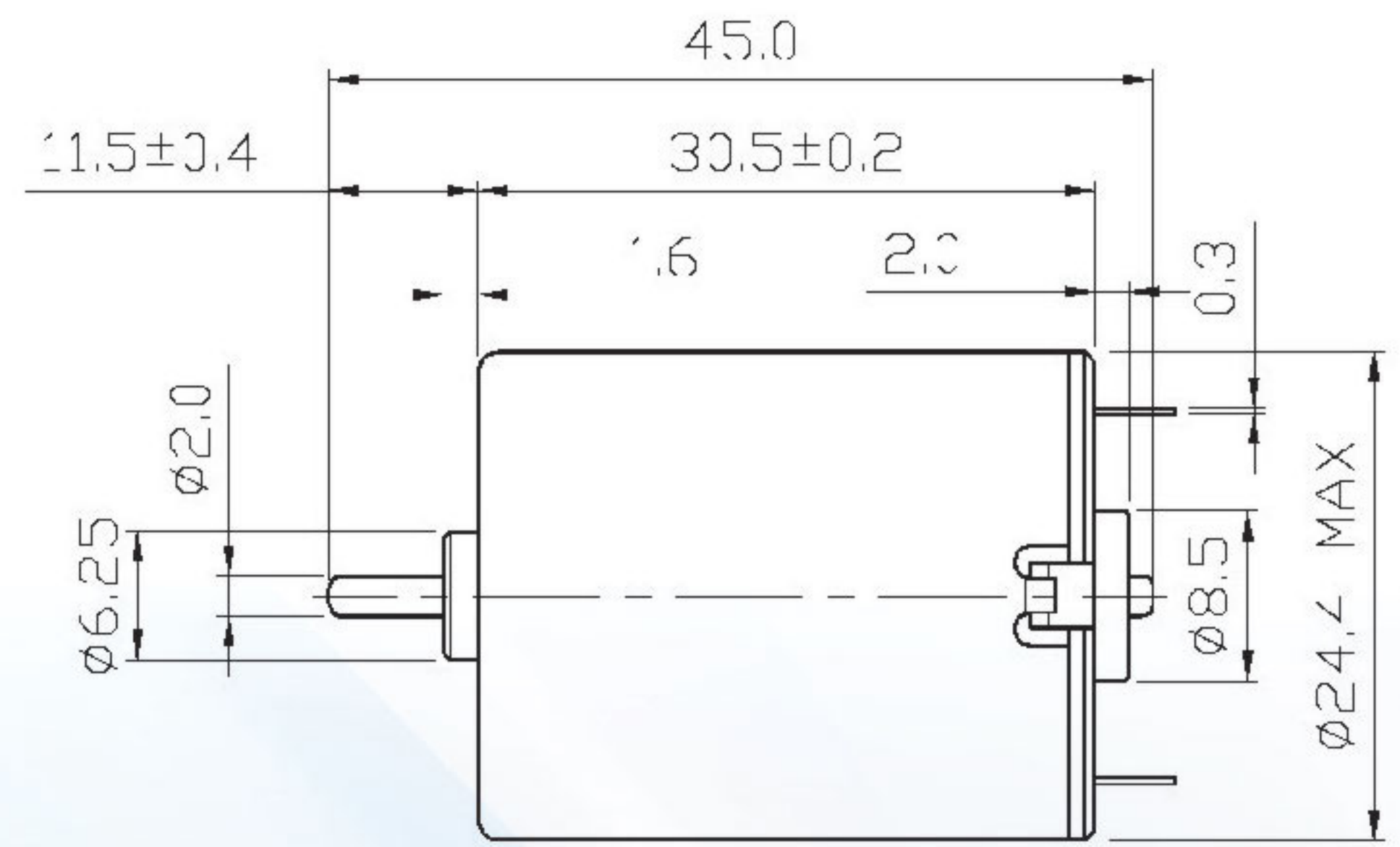
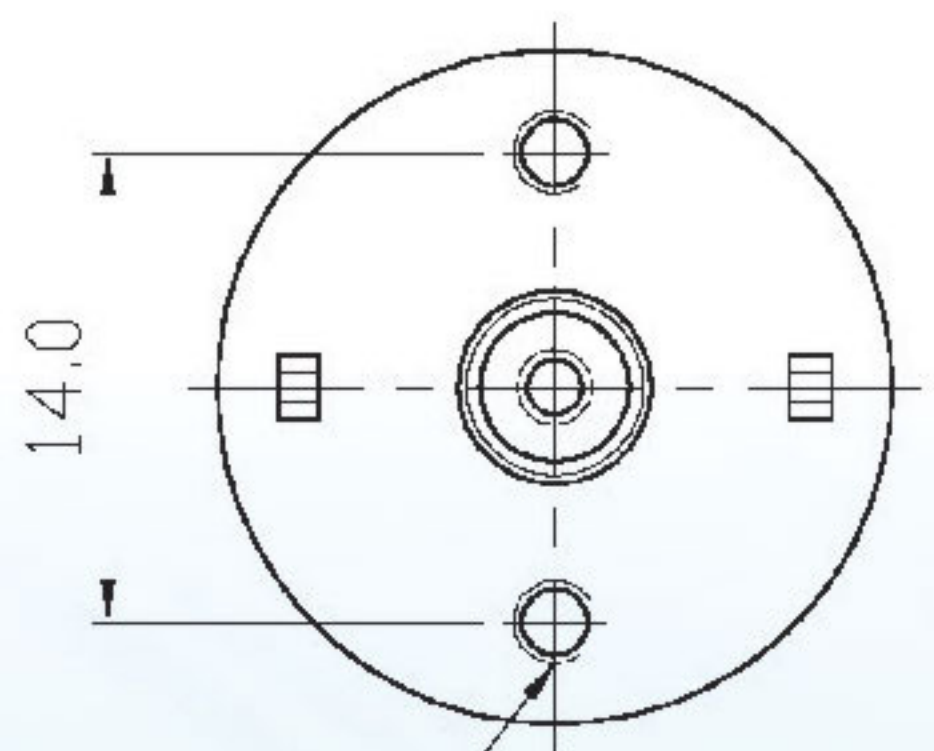


DIRECTION OF ROTATION



SHAFT LENGTH: 45.0 mm

