

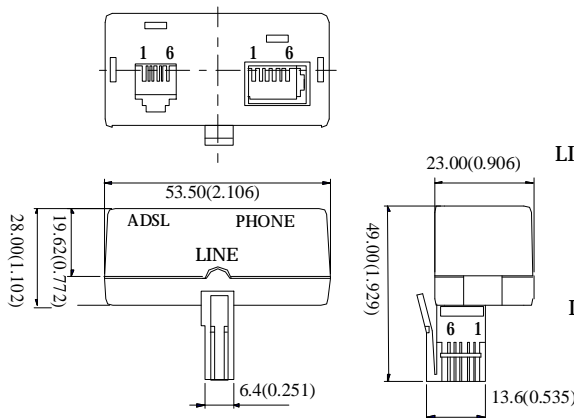


- ★ Compact package, includes connectors for ease of installation
- ★ Design for G.lite Application
- ★ 100 mA DC Loop Current Capacity

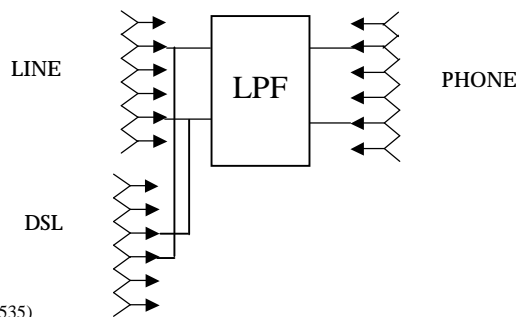
### Specifications

POTS Port Impedance	320+230nF//1050	DC Resistance each line	12.5Ω Max
Insertion Loss @1004Hz	-1dB Max	Return Loss @200Hz~500Hz	-14 dB Min
3dB Cutoff Frequency	10KHz Typ	@500Hz~2KHz	-18 dB Min
Attenuation @30~50 KHz	-15dB Min	@2KHz~3.4KHz	-14 dB Min
@50K ~1MHz	-25dB Min		
In Band Ripple	1dB Max		
Longitudinal Balance @200Hz~3K	-53 dB Min		
POTS Tip and Ring DC Voltage	0-105V		

### Dimension



### Schematic



Connector	Function	Style	Tip	Ring
J1	Line	BT-M	Pin2	Pin5
J2	Phone	BT-F	Pin2	Pin5
J3	DSL	RJ11	Pin4	Pin3

Data sheet subject to change without notice

Head Office & Factory 248-32 號 5F  
Build-B, 5F, No. 248-32, Hsing-Shen Rd., Cheng-Jeng Dist.,  
Lin-Kung Proc. Zone, Kaohsiung, Taiwan, R.O.C.  
TEL:886-7-8153618 Fax:886-7-8150747

[www.magcom.com.tw](http://www.magcom.com.tw)

**PRELIMINARY**

AMF04(03/2003) D