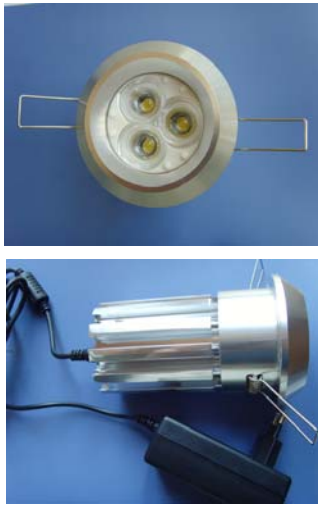


SILVERSTAR



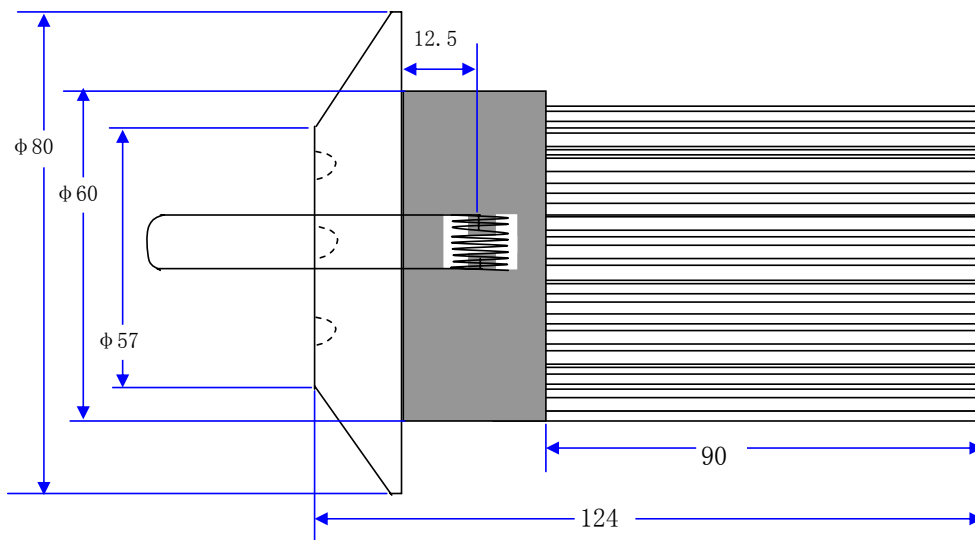
Features:

- Bulb Type: 15W Pure White LED Spot Light
- Available in cool and warm white
- Input Voltage: 10.5V DC
- Come with external SMPS adaptor
- Input Current: 1.0-1.2A
- Power Consumption: 15W
- View Angle: 30 degrees
- Luminance Flux: 600lm
- Light Source: 3*5W high-power LED.
- Body Temperature: <math>< 60^{\circ}\text{C}</math>
- Aluminum alloy heat-sink.
- No UV or IR radiation.

Description:

- High luminance efficiency.
- Low power consumption.
- As high power LED is the most costly electronic part in the spot light, in order to prolong its operating life, a protection circuit has been included in our design with a thermal switch to control the operating temperature within the predetermined value.
- Easy to install.
- The metal body is in silver.
- Ideal for landscape and architecture lighting.
- Widely used in advertisement and cabinet application.

Product dimensions:



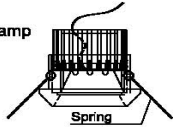
Notes:

- 1, All dimension units are millimeters.
- 2, All dimension tolerance is $\pm 1\text{mm}$ unless otherwise noted.

LED Spot Lamp Fixture instruction

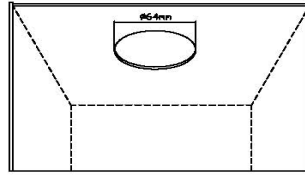
1

Take the spot lamp out of the box.



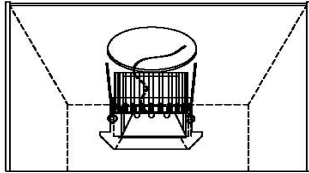
2

Drill a hole in the ceiling where you want to fix it.



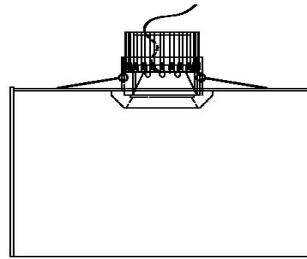
3

Press the spring and insert the spot light through the hole, then loose it.



4

After you finish all the steps, it appear like this. OK.



Package:

