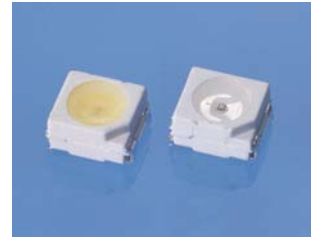


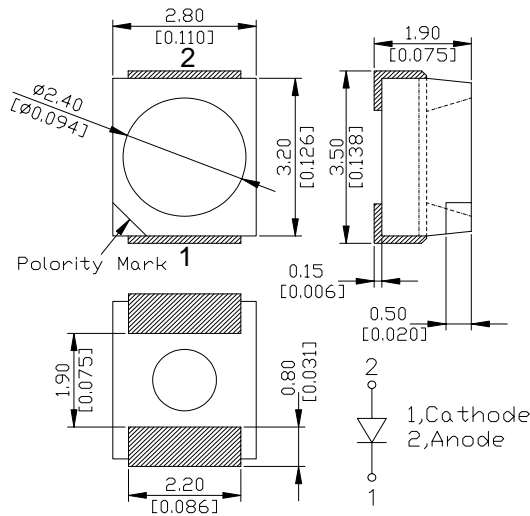
RA30 Series

- Feature:**
- Outline dimensions: 3.5×2.8×1.9 mm
 - Taped products (2000pcs/reel)
 - Lead-free (product contains no lead)



■ Outline Dimensions

(Unit : mm)

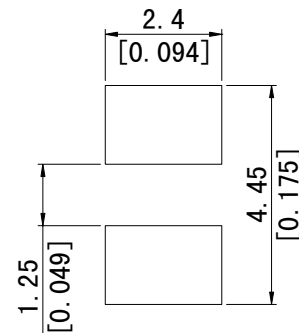


- NOTES:** 1. All dimensions are in millimeters (inches);
2. Tolerances are $\pm 0.2\text{mm}$ (0.008inch)

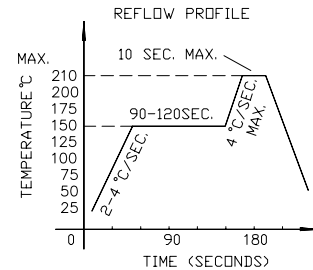
■ Absolute Maximum Ratings

| Operation Temperature (Topr) | Storage Temperature (Tstg) | Soldering Temperature (Tsol) |
|------------------------------|----------------------------|------------------------------|
| -20~+85°C | -30~+100°C | 210°C |

■ Recommended Soldering Pattern For Reflow Soldering



■ Recommended Reflow Soldering Profile



■ Electro-optical Characteristics

(Ta=25°C)

| Part Number | Emitting color | Viewing angle (2 $\theta_{1/2}$) | Material | Current | Resin Type | Dominant Wavelength (20mA) (nm) | | Luminous Intensity (20mA) (mcd) | | Forward Voltage (20mA) (v) | | Reverse current (μ A) | |
|--------------|----------------|-----------------------------------|----------|---------|-------------|---------------------------------|-----|---------------------------------|------|----------------------------|-----|----------------------------|----------------|
| | | | | | | Min | Max | Typ | Max | Typ | Max | I _R (max) | V _R |
| RF-OURA30TS | Orange | 120 | AlGaInP | 20mA | Water Clear | 620 | 630 | 140 | 300 | 2.0 | 2.4 | 10 | 5 |
| RF-AURA30TS | Amber | 120 | AlGaInP | 20mA | Water Clear | 600 | 610 | 140 | 200 | 2.0 | 2.4 | 10 | 5 |
| RF-YU RA30TS | Yellow | 120 | AlGaInP | 20mA | Water Clear | 580 | 595 | 150 | 350 | 2.0 | 2.2 | 10 | 5 |
| RF-YG RA30TS | YellowGreen | 120 | GaP | 20mA | Water Clear | 565 | 575 | 20 | 35 | 2.0 | 2.4 | 10 | 5 |
| RF-GSRA30TS | YellowGreen | 120 | AlGaInP | 20mA | Water Clear | 565 | 575 | 50 | 80 | 2.0 | 2.4 | 10 | 5 |
| RF-GNRA30TS | Green | 120 | AlInGaN | 20mA | Water Clear | 515 | 535 | 450 | 600 | 3.0 | 3.5 | 10 | 5 |
| RF-BN RA30TS | Blue | 120 | AlInGaN | 20mA | Water Clear | 465 | 475 | 130 | 200 | 3.2 | 3.5 | 10 | 5 |
| RF-WNRA30DS | White | 120 | InGaN | 20mA | Water Clear | | | 600 | 1200 | 3.1 | 3.5 | 10 | 5 |