

UE04LZ-043050SPC1

Switching Power Charger for Li-ion Battery
2.15 Watt

• Technical data

Input voltage	100-240V AC
Input current	100mA
Frequency	50-60Hz
Constant voltage	4.3V
Constant current	500mA
Dual-color indicator	charging: red fully charged or no load: green
Low standby power	0.3W Max.
Low leakage current	10uA Max., no Y capacitor

• Environmental specification

Operation temp.	0°C to 40°C at maximum load
Storage temp.	-20°C to 60°C
Humidity	5% to 95% non condensing

• Safety specification

Safety approval	CB (IEC60335) TUV-GS (EN60335 & EN50366) CE Mark BEAB
-----------------	--

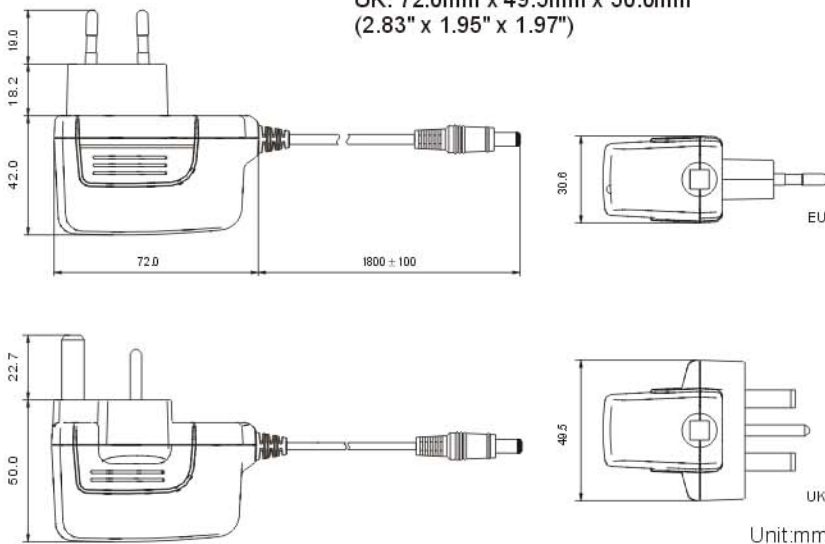
• Reliability specification

MTBF calculation	50,000 hours at maximum load levels and an ambient temperature of 25°C (in correspondence with MIL-HDBK-217)
------------------	--

• Mechanical specification

Weight	81g (with AC plug for EU) 96g (with AC plug for UK)
--------	--

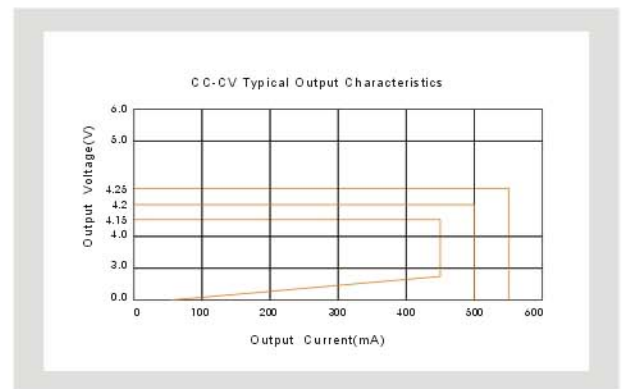
Dimensions	EU: 72.0mm x 30.6mm x 42.0mm (2.83" x 1.20" x 1.65") UK: 72.0mm x 49.5mm x 50.0mm (2.83" x 1.95" x 1.97")
------------	--



TUV-GS & CE Output Data

Model	Voltage (V)	Current (A)	Ripple (mV)
UE04LZ-043050SPC1	4.3	0.5	50

Z: V - AC Plug for Europe
B: AC Plug for UK



UE Electronic

東莞市石龍富華電子有限公司

中國廣東省東莞市石龍鎮新城區黃洲祥龍路富華電子工業園

Fuhua Electronic Industrial Park, Xianglong Road, Huangzhou, New Town District,
Shilong Town, Dongguan, Guangdong Province, China. 523326
Tel: (86) 769 86022222 Fax: (86) 769 86023333
www.fuhua-cn.com E-mail: fuhua@fuhua-cn.com

Fuhua Electronic (HK) Co., Ltd.

香港九龍彌敦道27-33號良士大廈9樓H室

Flat H, 9/F., Alpha House, 27-33 Nathan Road,
Kowloon, Hong Kong.
Tel: (852) 27391666 Fax: (852) 27395999
www.fuhua.com.hk E-mail: fuhua@fuhua.com.hk