

UE04LC-SPC

Switching Power Charger

4.16 Watt

• Technical data

Input voltage	100-240V AC
Input current	150mA
Frequency	50-60Hz
Efficiency	meets CEC requirements
Output voltage tolerance	± 5%
Low standby power	0.3W Max.
LED Indicator	red
Low leakage current	10uA Max., no Y capacitor

• Environmental specification

Operation temp.	0°C to 40°C at maximum load
Storage temp.	-20°C to 60°C
Humidity	5% to 95% non condensing

• Safety specification

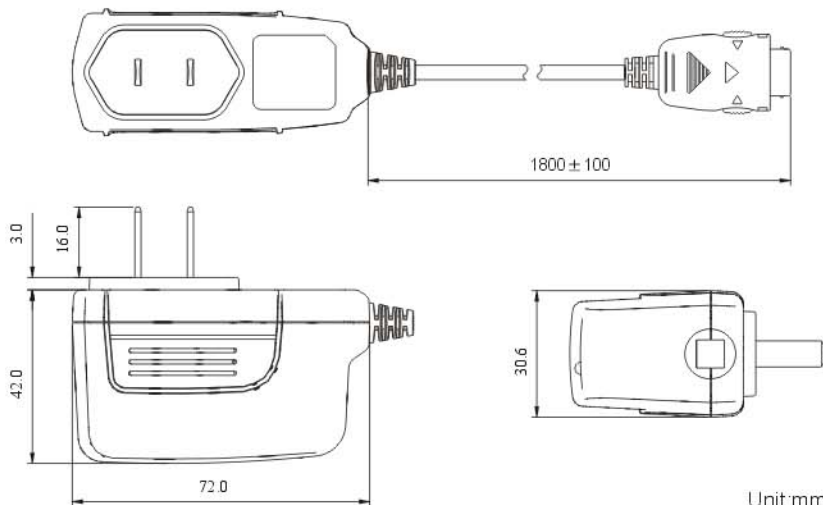
Safety approval	CCC (GB4943)
-----------------	--------------

• Reliability specification

MTBF calculation	50,000 hours at maximum load levels and an ambient temperature of 25°C (in correspondence with MIL-HDBK-217)
------------------	--

• Mechanical specification

Weight	81g
Dimensions	72.0mm x 30.6mm x 42.0mm (2.83" x 1.20" x 1.65")



Output Data

Model	Voltage (V)	Current (A)	Ripple (mV)
UE04LC-050YYSPC	5.0	0.01-0.80	50
UE04LC-051YYSPC	5.1	0.01-0.80	50
UE04LC-052YYSPC	5.2	0.01-0.80	50

YYY: 001-080 stands for current: 0.01A-0.80A

