

# UE02L3-SPCZ

## Switching Power Charger 2.5 Watt

### • Technical data

Input voltage	100-240V AC
Input current	90mA
Frequency	50-60Hz
Efficiency	meets CEC requirements
Output voltage tolerance	±5%
Low standby power	0.3W Max.
LED Indicator	red

### • Environmental specification

Operation temp.	0°C to 40°C at maximum load
Storage temp.	-20°C to 60°C
Humidity	5% to 95% non condensing

### • Safety specification

Safety approval	cULus (UL60950 and CSA60950) CE (EN60950) CCC (GB4943)
-----------------	--

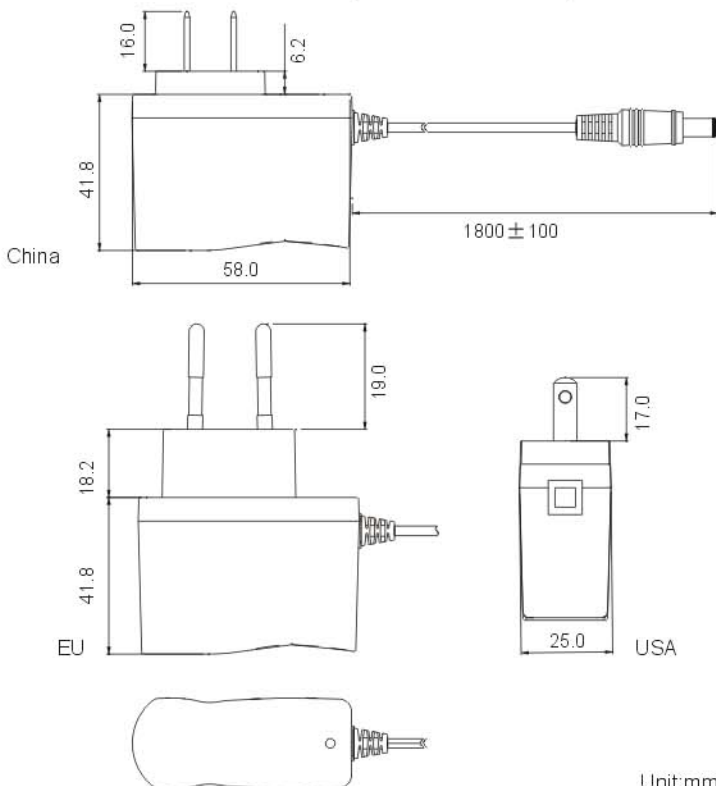
### • Reliability specification

MTBF calculation	50,000 hours at maximum load levels and an ambient temperature of 25°C (in correspondence with MIL-HDBK-217)
------------------	--

### • Mechanical specification

Weight	62g (with AC plug for China and USA) 66g (with AC plug for EU)
--------	---

Dimensions	58.0mm x 25.0mm x 41.8mm (2.28" x 0.98" x 1.65")
------------	---



### UL, CE Output data

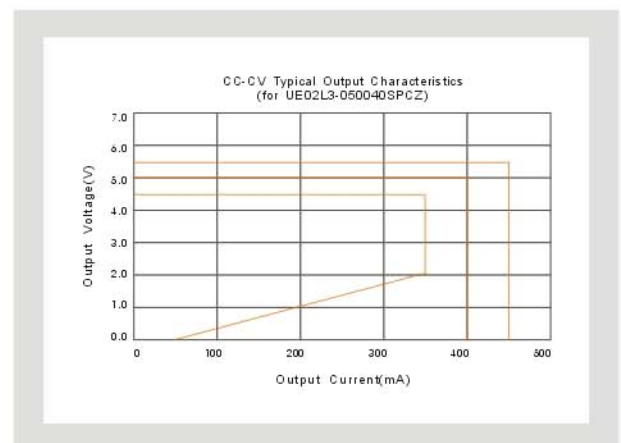
Model	Voltage (V)	Current (A)	Ripple (mV)
UE02L3-050YYSPCZ	5.0	0.01-0.40	50

YYY: 001- 040 stands for current: 0.01A-0.40A  
Z: U - AC Plug for USA  
V - AC Plug for Europe

### CCC Output data

Model	Voltage (V)	Current (A)	Ripple (mV)
UE02L3-050YYSPCC	5.0	0.01-0.50	50

YYY: 001-050 stands for current: 0.01A-0.50A  
Z: C -AC Plug for China



A000892

Unit:mm