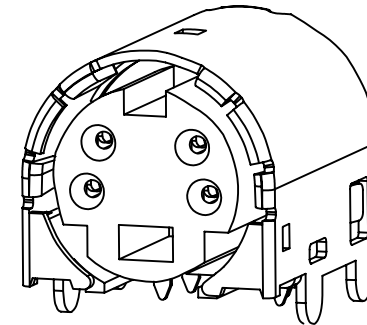
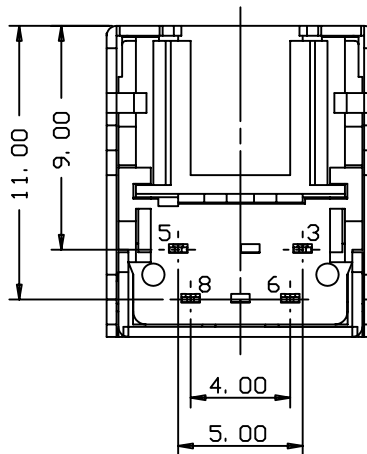
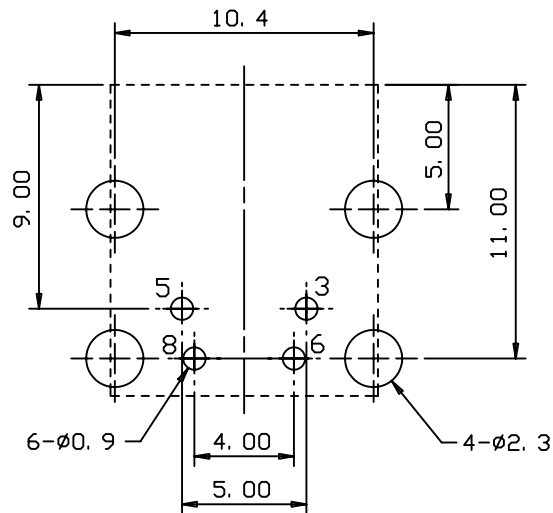
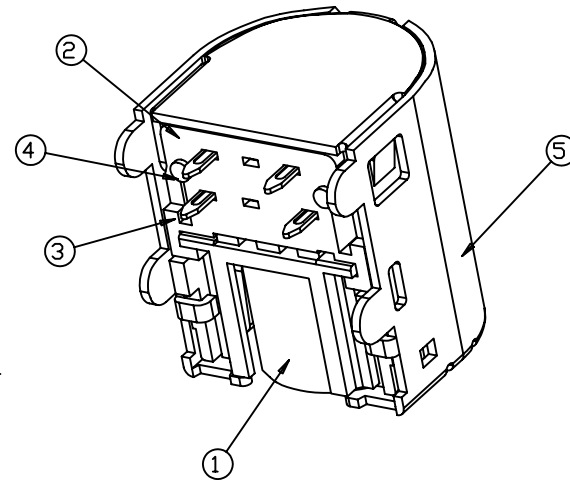
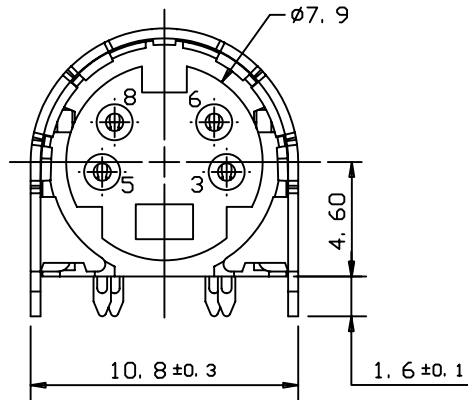
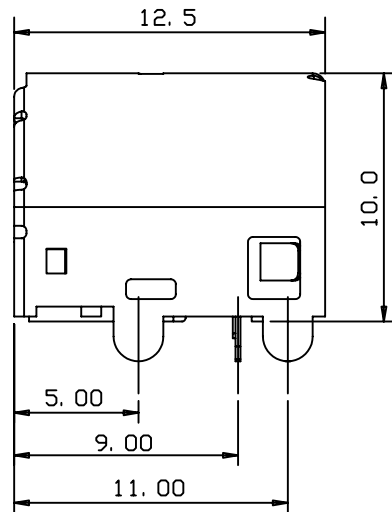


* REVISIONS

LTR	DESCRIPTION	DATE	REVISED	APPROVED



LEAD FREE

5	SHIELD	1	C2680	MB:Cu	Cu/Sn	PLATED
4	CONTACT#6	1	C5191	MB:Cu	Ag	PLATED
3	CONTACT#3	1	C5191	MB:Cu	Ag	PLATED
2	SPACER	1	PBT			
1	HOUSING	1	PBT			

LTR	PART NAME	QTY	MATERIAL(THICK,COLOR)	REMARK
DSND	XIAO CUI	DATE	2006.02.23	3RD ANGLE PROJECTION NAME S JACK CAT. NO. WDC-051-4 DWN.NO. DQ-051
DWN	HU LUN	DATE	2006.02.23	
CHKD	GAO WEI	DATE	2006.02.23	
APVD	JACKY	DATE	2006.02.23	

T:1.6 Dimensions of PC board holes
Tolerance : ±0.1(Printed-bottom view)

UNLESS OTHERWISE SPECIFIED, TOLERANCE ON DECIMAL: ±0.3

KYOYAKU ENTERPRISES LTD.