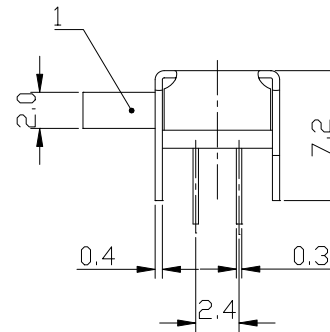
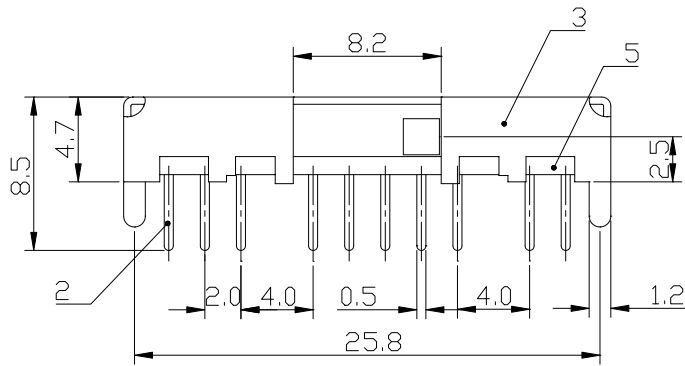
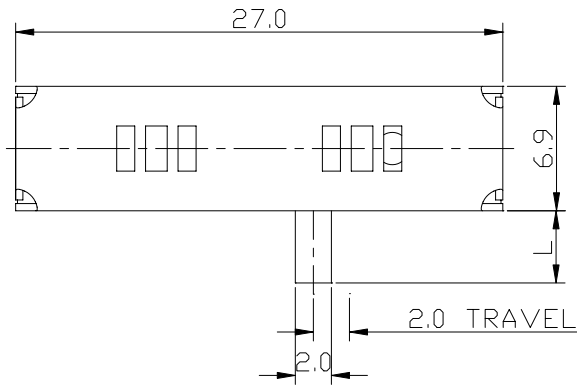


SCHMATIC



L: 2-15

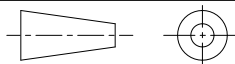
OPTIONAL KNOB TYPE	
TAC	
VGC	
PGA	

KD

KWAN DA INDUSTRIAL CO., LTD.

TITLE : HORIZONTAL SLIDE SWITCH

MODEL : SK44D02



TOLERANCE
 ≤ 5mm 0.1
 > 5mm 0.2

ANGLE TOL
 氮2

UNIT : MM	DWN.	DATE
SCALE : 2.5 : 1	CHK'D	DATE
VERSION 01	APPD.	DATE

NO.	PART NAME	MATERIAL	QTY.	FINISHING
6	SPRING	PBS STRIP	1	NATURE
5	BOARD	PHENOLIC RESIN	1	NATURE
4	CONTACT CLIP	PBS STRIP	4	Ag PLATED
3	FRAME	IRON STRIP	1	Ni PLATED
2	TERMINAL	BRASS STRIP	20	Ag PLATED
1	KNOB	POM	1	BLACK