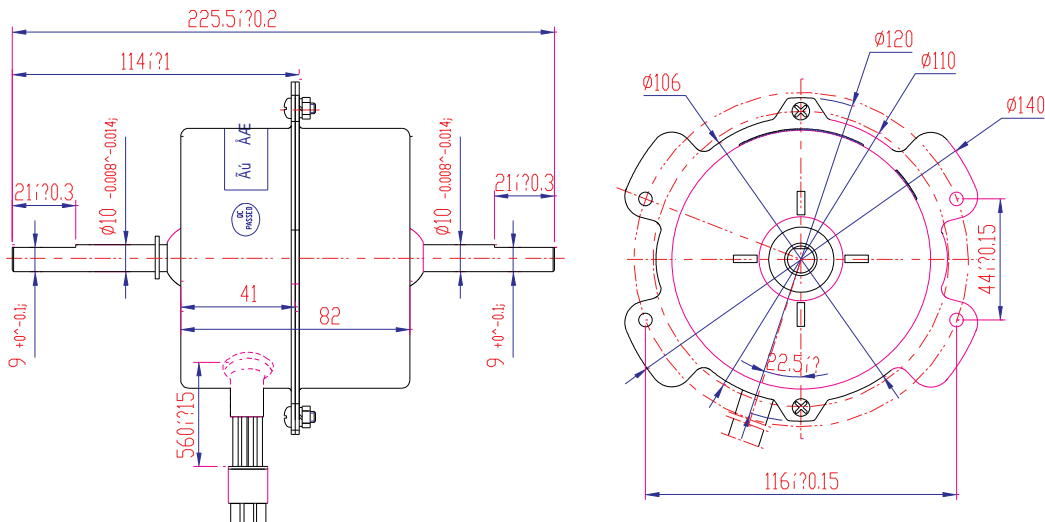
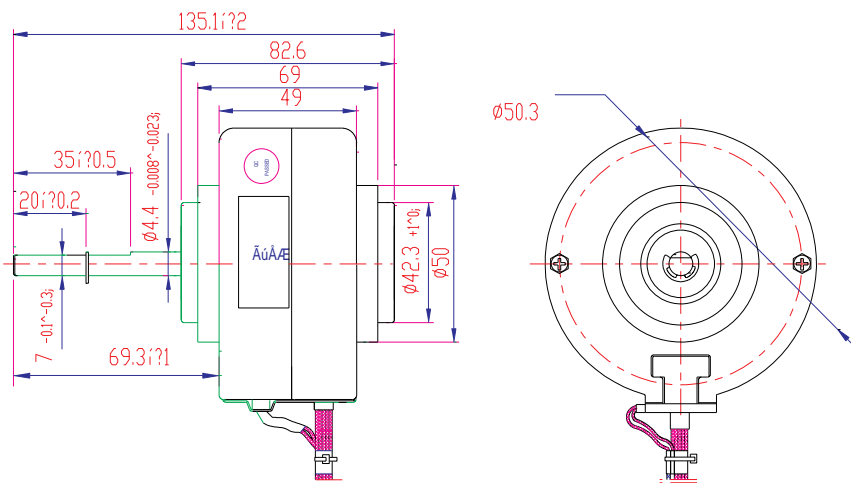


YDK-35M-6



YDK-020S4F8C-01



Motor Model	Voltage (V)	Frequency (Hz)	Speed (rpm)	Output Power(W)	Capacitance (µF)	Poles (P)	Use
YDK-35M-6	240	50	900	35	3.0	6	Air-Conditioner fan motor
YDK-020S4F8C-01	220	60	1160	16.5	1.2	4	Air-Conditioner fan motor