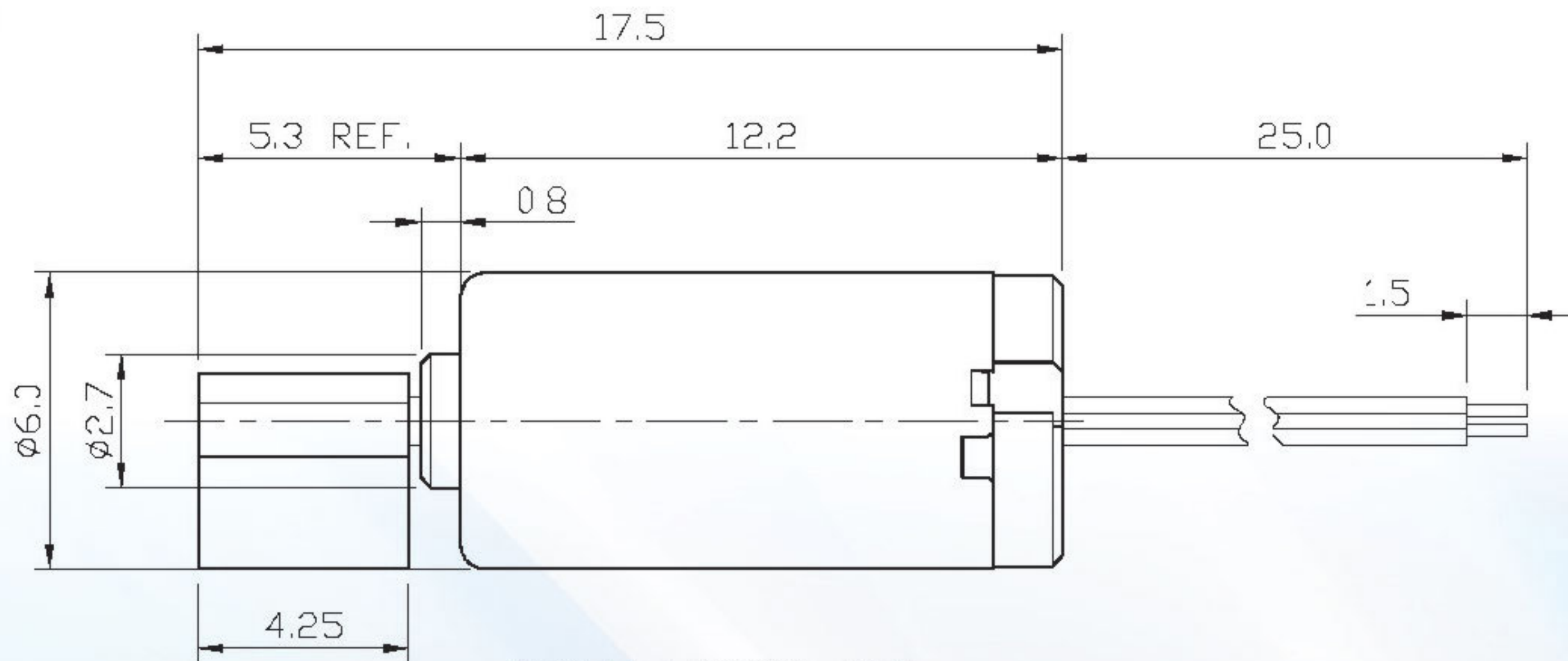
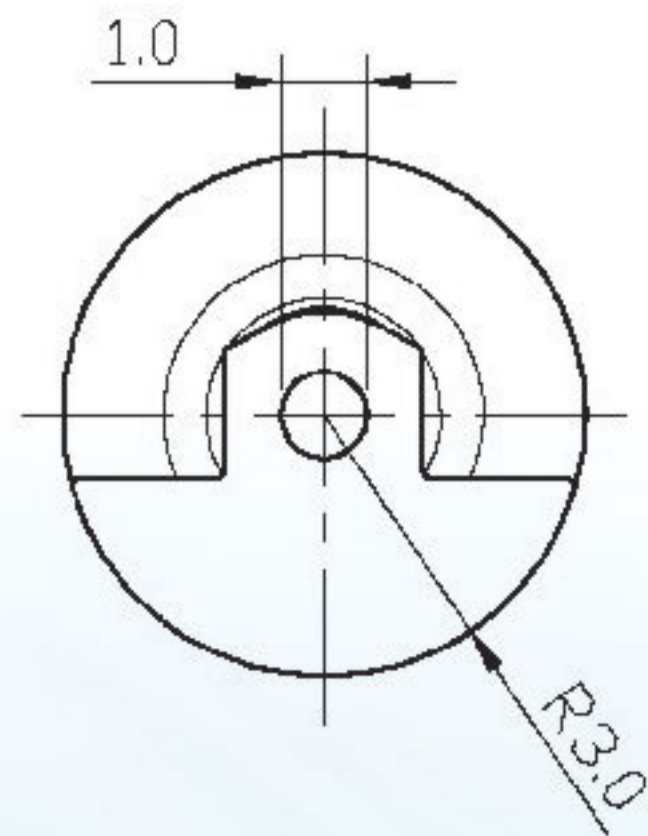


UNIT: MILLIMETERS

DIRECTION OF ROTATION



SHAFT LENGTH: 17.0mm

