

φ 35mm MR11 Spotlight Series
Technical Data Sheet

Model No: LM-SDRA9XX5



Features

- ◇ High Intensity
- ◇ Low Power Consumption.
- ◇ Long life.
- ◇ Voltages Available 12V AC/DC.
- ◇ Available for all color
- ◇ Easy-equipped.

Description

This LED lightings are substitution of halogen lightings MR11. It has high luminant efficiency by using super brihgt LED. The colors of lighting can be white, warm white, red, yellow, blue, green and other colors.

Application

- ◇ Entertainment Lighting
- ◇ Architectural lighting
- ◇ City Beautification
- ◇ Landscape lighting
- ◇ Medical lighting
- ◇ Portable lighting
- ◇ Other light sources

Device Selection Guide

Part No.	Color	Q'ty of LEDs (pcs)	Color Temp / Wavelength Typ (kelvin/nm)	Total Lumens Typ (lm)
LM-SDRA9W65	Warm White	9	3200K	15.6
LM-SDRA9W05	Cool White	9	5500K	13.8
LM-SDRA9B05	Blue	9	470nm	2.7
LM-SDRA9G05	Green	9	525nm	12.2
LM-SDRA9Y05	Yellow	9	590nm	5.4
LM-SDRA9R05	Red	9	624nm	5.6

Spec No: LM-MR11-01 Rev No. V.1 Data: Oct/03/2006 Page: 2 OF 4

Approved: Bob Checked Zhenguoxie Drawn: Huijunchen

Absolute Maximum Ratings (Ta =25°C)

Items	Symbol	Rating	Units
Operating Voltage	Viac	AC 12	V
Input Current	li	AC 48	mA
Operating frequency	Freo	50-60	Hz
Power Dissipation	Pa	0.5-0.9	W
Operating Temperature	Tope	-30 - +50	°C
Storage Temperature	Tsto	-40 - + 80	°C

Typical Performance (Ta =25°C)

Items	Symbol	Min	Typ.	Max.	Units
Input Voltage	Vi	---	12	---	V
Input Current	If	---	---	60	mA
Beam Pattern	BP	---	50	---	Deg
Total Length	Lmod.	---	37	---	mm
Net Weight	Wei.	---	16.5	---	g
Estimated Life [1]	Life	30000	---	---	hour
Optimized Thermal Management (Body Temperature)	/		---	45	°C

Notes:

- [1] The estimated life of MR11 with Lucky Light's lamps are estimated base on the LED light 4-8 hours each day. and Lucky Light only guarantee 30000 hours in specification , but it is longer than 30000 hours .
- Rank rations will be determined by Lucky Light , if you have any request or queries for Lucky Light products , please directly contact salesman .
- The brightness and forward voltage can be designed according to customer specifications.
- Specifications are subject to change without notice

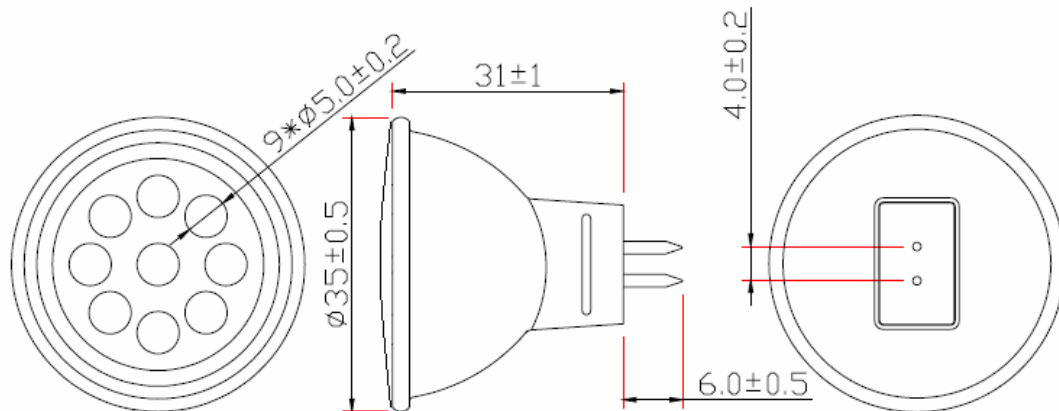
Spec No: LM-MR11-01 Rev No. V.1 Data: Oct/03/2006 Page: 3 OF 4

Approved: Bob Checked Zhenguoxie Drawn: Huijunchen

Product picture:



Product Dimensions



Notes:

1. All dimensions unit in mm .
2. The tolerance is +/- 0.2mm unless otherwise noted