



ATTENTION
OBSERVE PRECAUTIONS
FOR HANDLING
ELECTROSTATIC
DISCHARGE
SENSITIVE
DEVICES

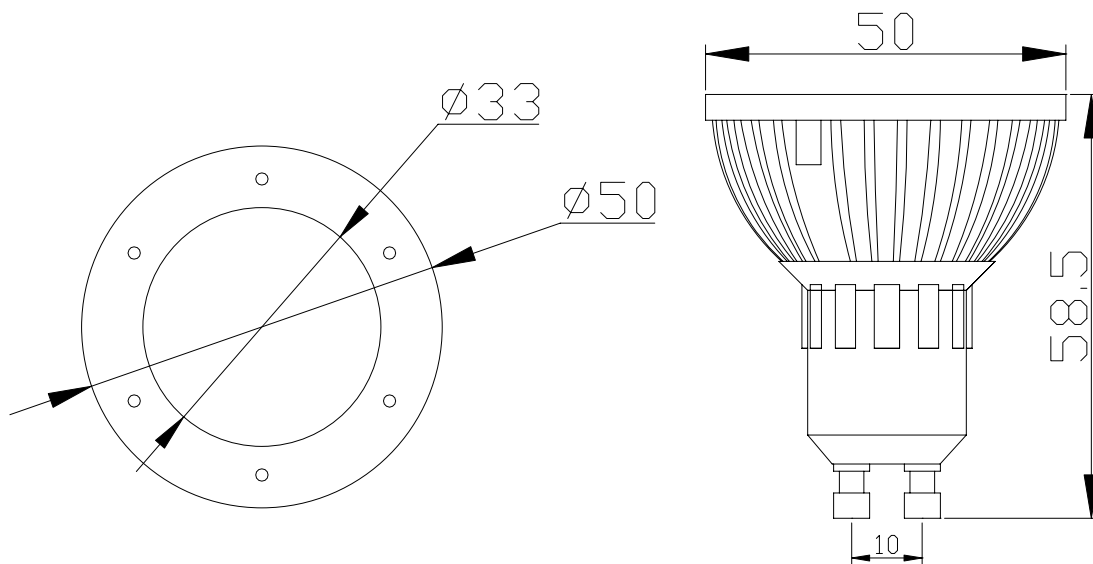
HL-SW1CB18-V3 WHITE



Features

- Bulb Type:3W GU10 LED Spotlight
- Base Type: GU10
- Input Voltage: 85~/265VAC(MAX) 50HZ
- Output Power: 3W
- Total Length: 58.5mm
- Beam Angle:40degrees
- Reflector Efficiency: 90%
- Light Source: 3W power LED
- Body Temperature: 3w<60°C
- Net Weight: 45g
- Aluminum alloy heat-sink

Package Dimensions



Notes:

1. All dimension units are millimeters.
2. All dimension tolerance is ± 1 mm unless otherwise noted.

Absolute Maximum Rating at TA=25℃

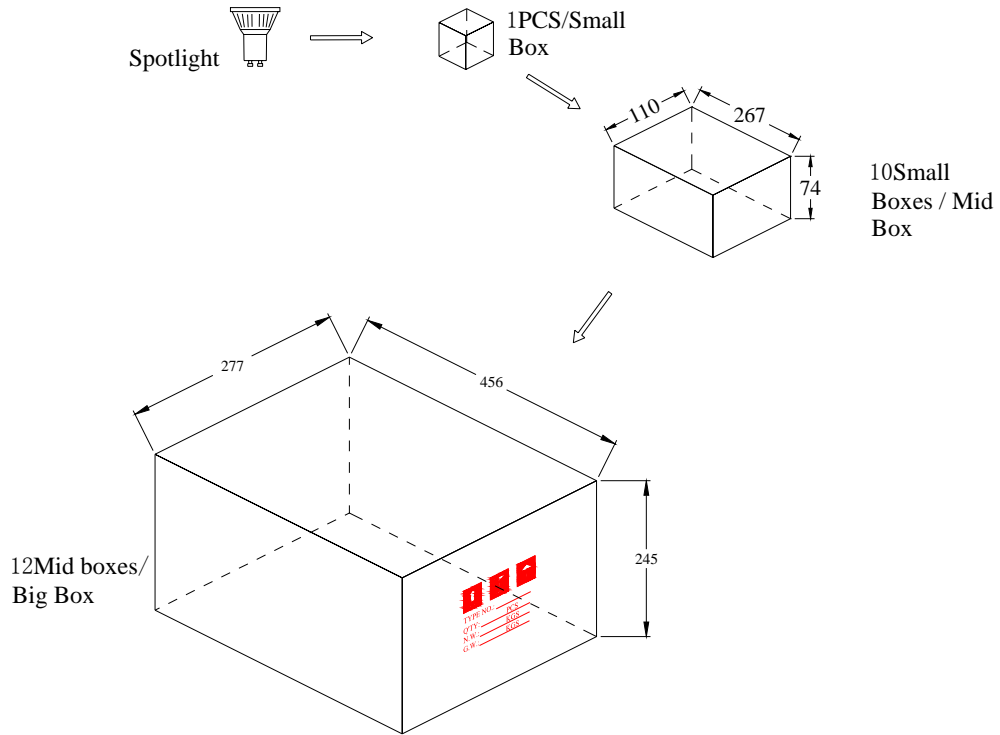
Parameter	Symbol	Absolute Maximum Rating	Unit
LED Working Current	I _w	700	mA
Power Dissipation	PD	3.5	W
Electrostatic discharge	ESD	800	V
Operating Temperature	T _{opr}	-25~+60	℃
Storage Temperature	T _{stg}	-40~+80	℃

Electrical / Optical Characteristics at TA=25℃

Parameter	Symbol	Condition	Min	Typ	Max	Unit
INPUT Voltage AC	V _i	I _w =700mA	100	220	240	V
Dominant Wavelength	λ _D	I _w =700mA	--	---	--	nm
Temperature Color	TC	I _w =700mA	5000	--	8000	K
Luminous flux	Φ _v	I _w =700mA	--	105	--	lm
Illuminance (distance of 1 meter)	E	I _w =700mA	--	290	--	LUX

Notes:Tolerance of measurement of luminous intensity±15%.

Package means



APPLICATION

- RESIDENTIAL LIGHTING OF PARLOR , HALL , SHOPPING CENTRE AND SO ON
- INDOOR OR OUTDOOR LED LIGHTING PROJECTS, ETC.
- LIGHTING OF STAGE