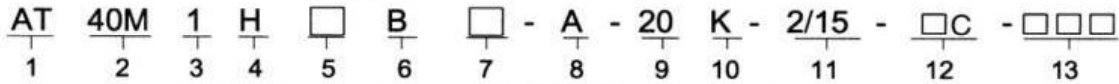
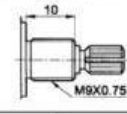
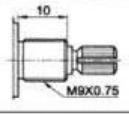
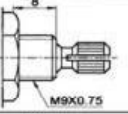
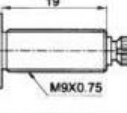
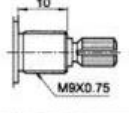
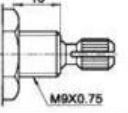


AT Series Code Explanation

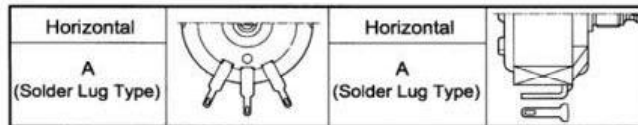


1. Product Lines of AT Series (AT - Wire Wound Attenuator)
2. Series 40M - Metal Shaft, 40mm Size Series Wire Wound Attenuator
50M - Metal Shaft, 50mm Size Series Wire Wound Attenuator
60M - Metal Shaft, 60mm Size Series Wire Wound Attenuator
3. Number of Unit 1 - Single Unit 2 - Dual Unit
4. Horizontal(H) Type or Vertical (V) Type
5. Bushing Length
6. Bushing Type

Model	AT40M Series	AT50M Series	AT60M Series
Single Unit B (Standard)			
Dual Unit B (Standard)			

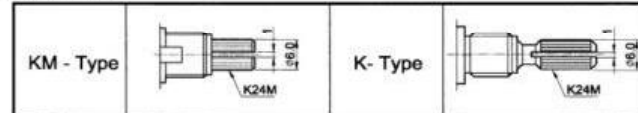
7. Bushing Material: D- Alluminum A- Zinc Alloy

8. Type of Terminal

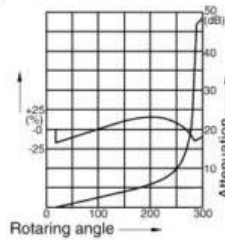
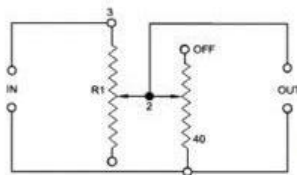


9. Shaft Length

10. Type of Shaft



11. Attenuation / Power Rating :2/15- 2dB, 15W for more information, please see the list as below.



TYPE	POWER RATING
AT40M1HB-A	2 dB 15W, 6 dB/10W, 12 dB/6W
AT40M2HB-A	2 dB 12W, 6 dB/8W, 12 dB/4W
AT50M1HB-A	2 dB 30W, 6 dB/25W, 12 dB/15W
AT50M2HB-A	2 dB 25W, 6 dB/20W, 12 dB/10W
AT60M1HB-A	2 dB 50W, 6 dB/35W, 12 dB/25W
AT60M2HB-A	2 dB 40W, 6 dB/25W, 12 dB/15W

Network	L
Impedance	4Ω-8Ω
Impedance tolerance	± 25%
Attenuation	0-40dB
Rotaring angle	300° ± 5°

12. Number of Clicks: Blank-None

13. Serial No.

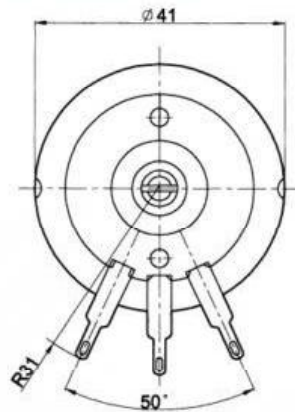
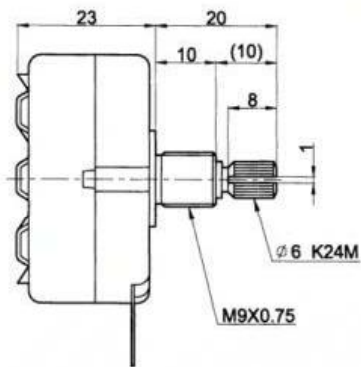
AT40M1HB-A AT50M1HB-A AT60M1HB-A



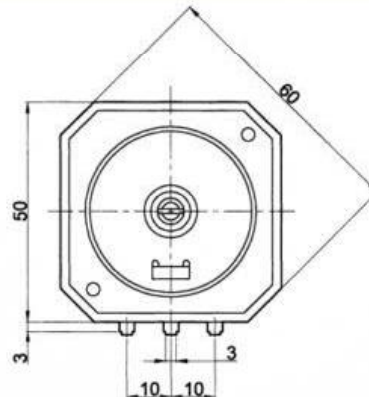
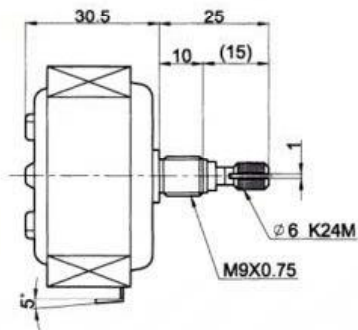
Outline Drawing

Features individual specifications

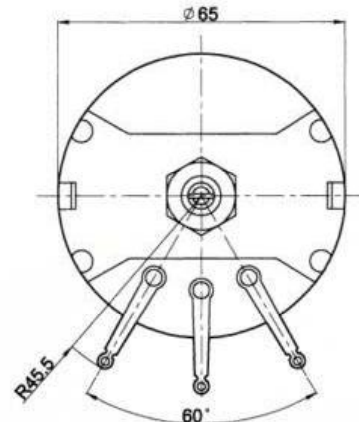
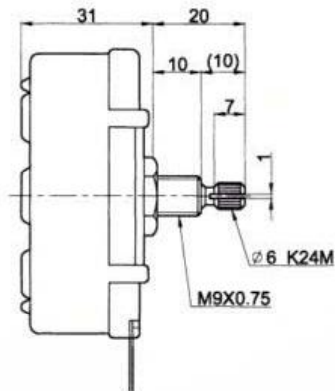
AT40M1HB-A



AT50M1HB-A



AT60M1HB-A



Wire Wound Attenuator (AT Series)

The drawing and specification are for reference only. For further detail, please contact Top-Up head office.

AT40M2HB-A

AT50M2HB-A

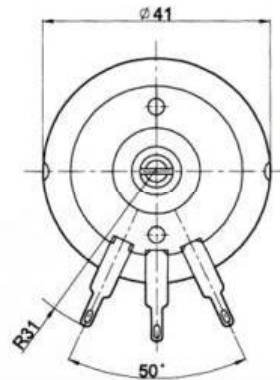
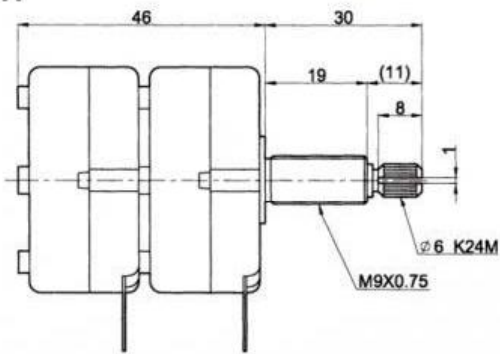
AT60M2HB-A



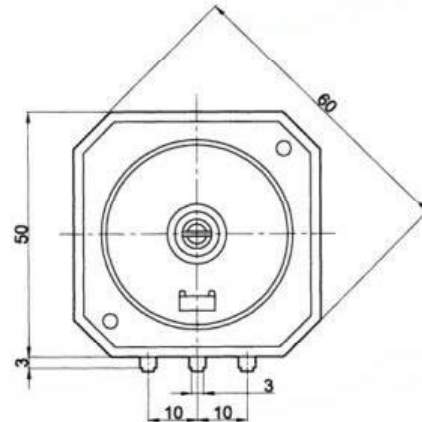
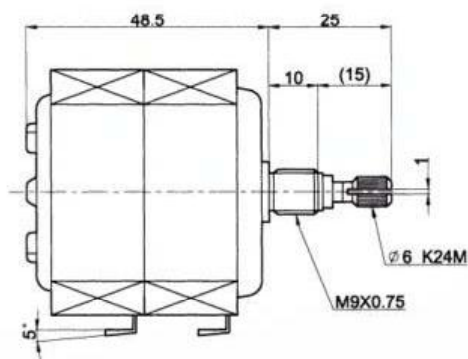
Outline Drawing

Features individual specifications

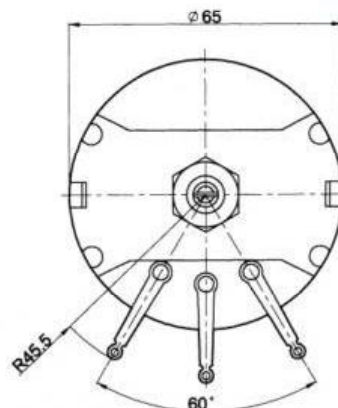
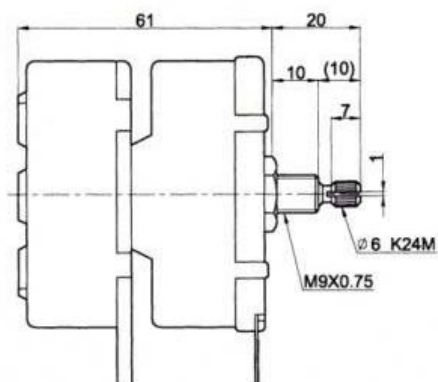
AT40M2HB-A



AT50M2HB-A



AT60M2HB-A



The drawing and specification are for reference only. For further detail, please contact Top-Up head office.