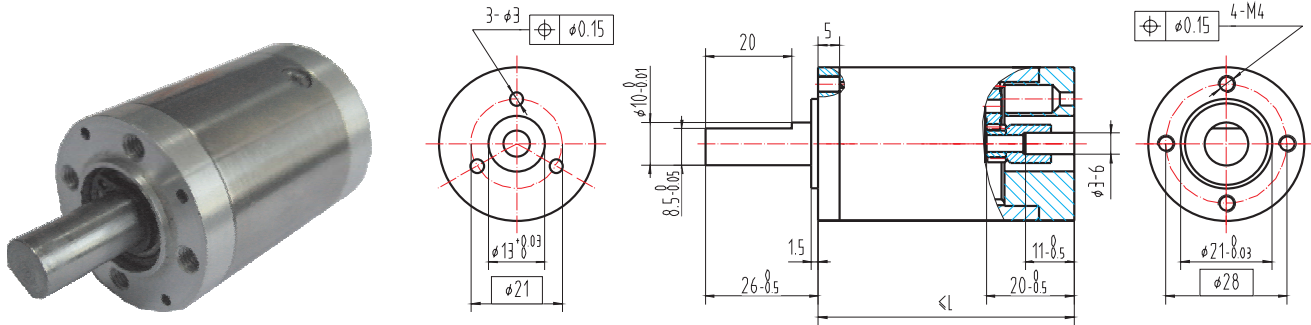


36MM



性能规格 Specification							
段数 Stage NO.		L1	L2	L3	L4	L5	L6
减速比范围 Reduction Ratio		4.00,4.75,6.00	16,19,22,24,28,36	64,76,96,135,171,216	256,384,684,864,1026,1296	1024,1216,2304,2572,4104,3858,4873,6156,7776	4096,7776
长度 Length (mm)		40	46.6	53.2	59.8	66.4	
输出扭矩 output torque (N.m)	连续 Continuous	3	8	16	16	20	
	瞬时 Intermittent	5	12	25	25	30	
效率 Efficiency (%)		90	83	77	72	67	
空载回差 No-load Backlash		≤0.5°	≤0.8°	≤1.5°	≤1°	≤2°	
重量 Weight (g)		190	242	295	347	398	
技术参数 Technic Parameter							
壳体材料 Housing material							不锈钢 Stainless steel
齿轮材料 Gear train material							钢 all steel
推荐最大输入转速 Recommended max. input speed for:							
- 连续运转 continuous operation							4,000 rpm
输入输出旋转方向 Direction of rotation(reversible)							=
输出端轴承 Bearings on output shaft							滚动轴承 ball bearing
输出轴负载 Shaft load, max.							
最大允许径向载荷 radial (6 mm from mounting face)							≤ 500N
最大允许轴向载荷 axial Shaft press fit force, max.							≤ 120N
最大允许安装力 Shaft press fit force, max.							≤ 220N
输出轴间隙 Shaft play							
- 径向间隙 radial (5 mm from flange)							≤ 0.05 mm
- 轴向间隙 axial							≤ 0.1 mm
推荐温度范围 Operating temperature range							-30 to +105 °C

Topband gear box