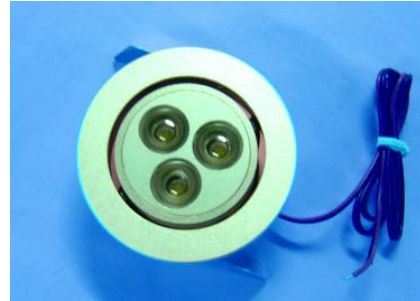




ATTENTION
OBSERVE PRECAUTIONS
FOR HANDLING
ELECTROSTATIC
DISCHARGE
SENSITIVE
DEVICES

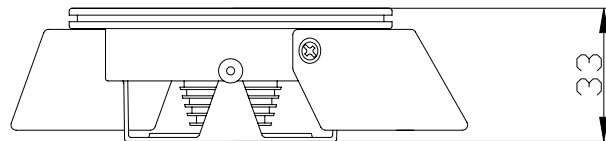
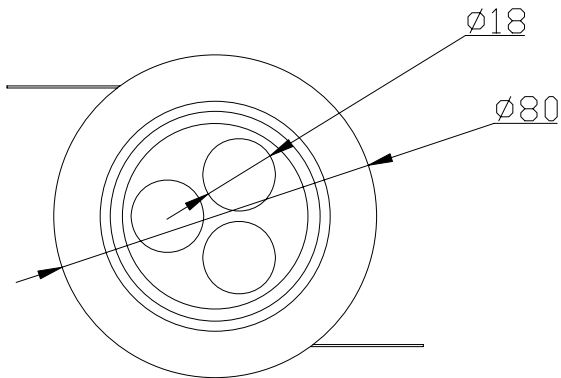
HL-CW3N8C3-H3



● Features

- Type: 3W Hi-Power: Ceiling light
- Input Voltage: 12V DC
- Output Power: 3W
- Module Thickness: 33mm
- Beam Angle: 30degrees
- Reflector Efficiency: 90%
- Light Source: 3W high power LED
- Body Temperature: $3w < 60^{\circ}\text{C}$ (environment Temperature 31°)
- Aluminum alloy heat-sink
- Net Weight: 127g

● Package Dimensions



Notes:

1. All dimension units are millimeters.
2. All dimension tolerance is $\pm 1\text{mm}$ unless otherwise noted.

● **Absolute Maximum Rating at TA=25℃.**

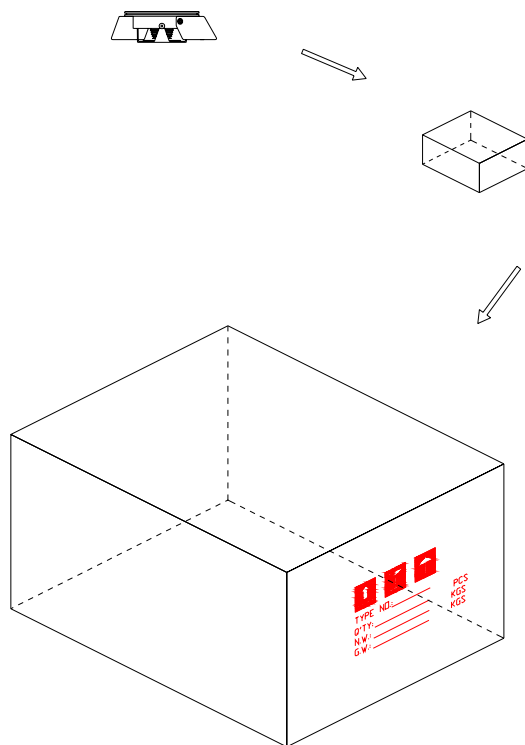
Parameter	Symbol	Absolute Maximum Rating	Unit
LED Working Current	Iw	320	mA
Power Dissipation	PD	3.5	W
Electrostatic discharge	ESD	800	V
Operating Temperature	Topr	-25~+60	℃
Storage Temperature	Tstg	-40~+80	℃

● **Electrical / Optical Characteristics at TA=25℃**

Parameter	Symbol	Condition	Min	Typ	Max	Unit
Forward Voltage DC/AC	VF	Iw=320mA	-	12	-	V
Dominant Wavelength	λ_D	Iw=320mA	--	---	--	nm
Temperature Color	TC	Iw=320mA	5000	--	8000	K
Luminous flux	Φ_v	Iw=320mA	--	115	--	lm
Illuminance (distance of 1 meter)	E	Iw=320mA	--	420	--	LUX

Notes:Tolerance of measurement of luminous intensity±15%.

● **Package means**



● **APPLICATIONS**

- RESIDENTIAL LIGHTING OF PARLOR , HALL , SHOPPING CENTRE AND SO ON
- INDOOR OR OUTDOOR LED LIGHTING PROJECTS, ETC.
- LIGHTING OF STAGE