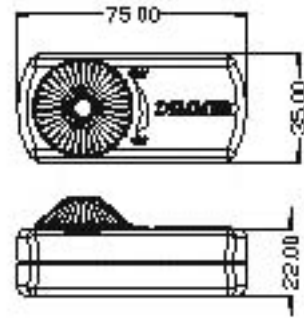


SED200LR



Model:SED200LR

Input Voltage:100-120V~60Hz

Rated loading:25-200W

For incandescent lamp & halogen lamp use

Mounting:exterior of light fitting

Dimming:stepless dimming

Control manner:SCR leading-edge trigger