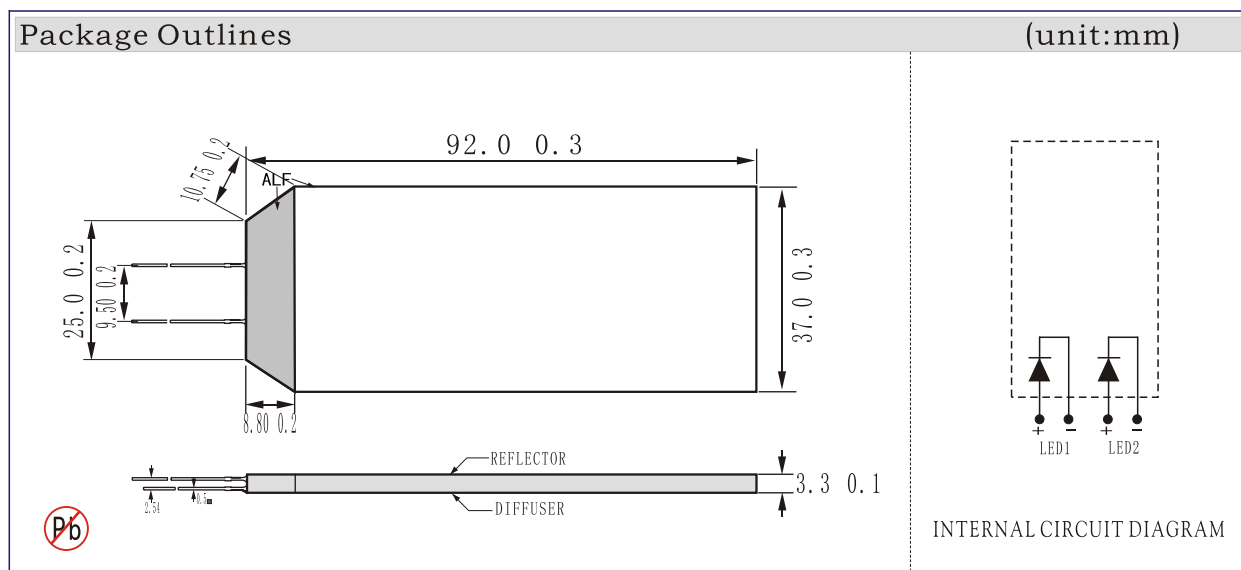


Part Number	Emitting Material	Wave Length $\lambda_D$ (nm)	Emitting Color	(If=20mA)		
				$V_F$ (v)		$I_V$ (mcd)
				Typ.	Max.	Typ.
CLB-9237- $\Delta$ R	AlGaInP	630	Red	2.0	2.5	100
CLB-9237- $\Delta$ O	AlGaInP	610	Orange	2.0	2.5	100
CLB-9237- $\Delta$ G	GaInN	520	Green	3.4	4.0	250
CLB-9237- $\Delta$ Y	AlGaInP	585	Yellow	2.0	2.5	100
CLB-9237- $\Delta$ B	GaInN	465	Blue	3.2	3.8	150
CLB-9237- $\Delta$ W	GaInN	—	White	3.2	3.8	200

**ABSOLUTE MAXIMUM RATINGS (Ta=+25°C)**

PARAMETER	SYMBOL	RATING	UNIT
Forward Current	$I_F$	20*2	mA
Forward Pulse Current	$I_{F(Peak)}$	100*2	mA
Reverse Voltage	$V_R$	5	V
Operating Temperature	$T_{opr}$	-20~+85	°C
Storage Temperature	$T_{Stg}$	-40~+85	°C
Soldering Hear (5s)	$T_{Sol}$	260	°C
Power Dissipation	$P_d$	80*2	mW



Remark : 1. “ $\Delta$ ” represents Internal Circuit Feature: A、C、E...Common Cathode, B、D、F...Common Anode.  
 2. “□” represents LED Emitted Color.  
 3. All dimensions are in millimeters, tolerance is 0.25mm unless otherwise noted.  
 4. Above specification is measured by CHANGLI's test instrument and may be changed without notice.  
 5. Supplier will reserve authority on material change for above specification.