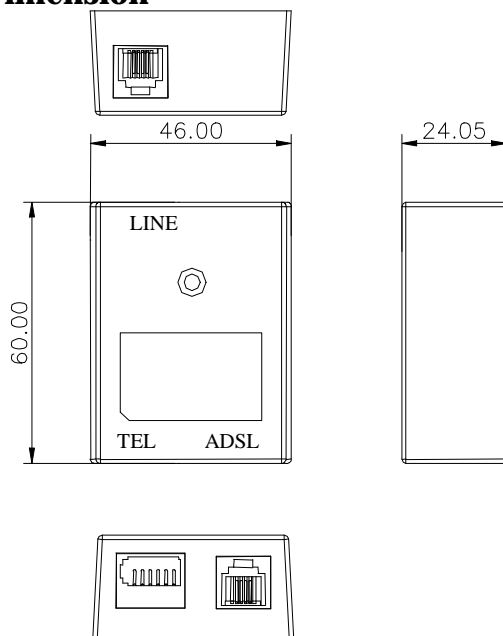


- ★ **Compact package, includes connectors for ease of installation**
- ★ **Design for G.dmt Application**
- ★ **100 mA DC Loop Current Capacity**

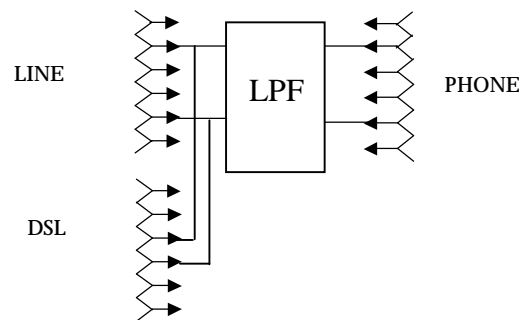
Specifications

POTS Port Impedance	320+230nF//1050	DC Resistance each line	25Ω Max
Insertion Loss @1004Hz	-1.1dB Max	Return Loss @200Hz~500Hz	-14 dB Min
3dB Cutoff Frequency	10KHz Typ	@500Hz~2KHz	-18 dB Min
Attenuation @32~200 KHz	-29dB Min	@2KHz~3.4KHz	-14 dB Min
@200K ~1MHz	-55dB Min	Group Delay @200~4000Hz	<200uS
In Band Ripple	1dB Max		
Longitudinal Balance @200Hz~3K	-45 dB Min		
POTS Tip and Ring DC Voltage	0-105V		

Dimension



Schematic



Connector	Function	Style	Tip	Ring
J1	Line	RJ11	Pin2	Pin5
J2	Phone	BT-F	Pin2	Pin5
J3	DSL	RJ11	Pin3	Pin4

Data sheet subject to change without notice

Head Office & Factory 248-32 號 5F
Build-B, 5F, No. 248-32, Hsing-Shen Rd., Cheng-Jeng Dist.,
Lin-Kung Proc. Zone, Kaohsiung, Taiwan, R.O.C.
TEL:886-7-8153618 Fax:886-7-8150747

www.magcom.com.tw

PRELIMINARY

BAS75(11/2003) A