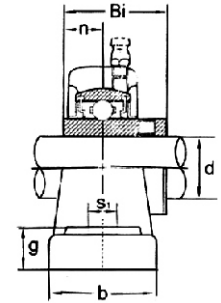
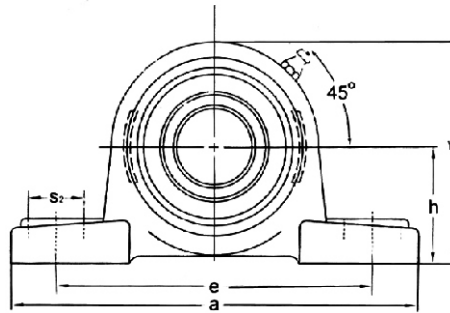
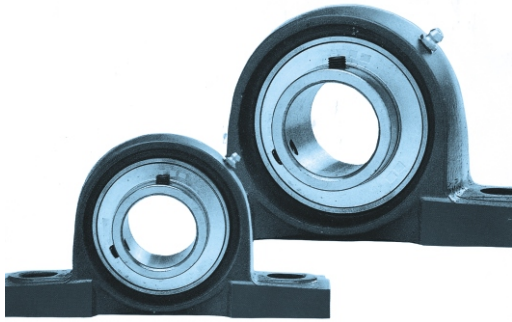


PILLOW BLOCKS



Item number	Dimensions											bolt size	bearing number	housing number	Weight Kg
	bore	h	a	e	b	s1	s2	g	w	Bi	n				
UCP202	15	30.2	127	96	38	13	19	15	62	31	12.7	10	UC202	P203	0.63
UCP203	17	30.20	127	96	38	13	19	15	62	31	12.7	10	UC203	P203	0.62
UCP204	20	33.30	127	96	38	13	19	15	65	31	12.7	10	UC204	P204	0.65
UCP205	25	36.50	140	105	38	13	19	16	70	34	14.3	10	UC205	P205	0.79
UCP206	30	42.90	165	121	48	17	21	18	83	38.1	15.9	14	UC206	P206	1.27
UCP207	35	47.60	167	126	48	17	21	19	92	42.9	17.5	14	UC207	P207	1.57
UCP208	40	49.20	184	136	54	17	22	19	98	49.2	19	14	UC208	P208	1.99
UCP209	45	54.00	190	146	54	17	22	20	106	49.2	19	14	UC209	P209	2.28
UCP210	50	57.20	206	159	60	20	25	22	112	51.6	19	16	UC210	P210	2.58
UCP211	55	63.50	219	172	60	20	25	22	126	55.6	22.2	16	UC211	P211	3.31
UCP212	60	69.90	241	186	70	20	25	25	137	65.1	25.4	16	UC212	P212	4.71
UCP213	65	76.20	265	203	70	25	29	27	150	65.1	25.4	20	UC213	P213	5.58
UCP214	70	79.40	266	210	72	25	31	27	156	74.6	30.2	20	UC214	P214	7.28
UCP215	75	82.60	275	217	74	25	31	28	163	77.8	33.3	20	UC215	P215	7.89
UCP216	80	88.90	292	232	78	25	31	30	175	82.6	33.3	20	UC216	P216	10.01
UCP217	85	95.20	310	247	83	25	31	32	187	85.7	34.1	20	UC217	P217	12.2
UCP218	90	101.60	327	262	88	27	33	34	200	96	39.7	22	UC218	P218	14.7

Item number	Dimensions											Bolt Size	bearing number	housing number	Weight Kg
	bore	h	a	e	b	s1	s2	g	w	Bi	n				
UCP305	25	45	175	132	45	17	20	16	85	38	15	14	UC305	P305	1.4
UCP306	30	50	180	140	50	17	20	18	95	43	17	14	UC306	P306	1.8
UCP307	35	56	210	160	56	17	25	20	106	48	19	14	UC307	P307	2.8
UCP308	40	60	220	170	60	17	27	22	116	52	19	14	UC308	P308	3
UCP309	45	67	245	190	67	20	30	24	129	57	22	16	UC309	P309	4.1
UCP310	50	75	275	212	75	20	35	27	143	61	22	16	UC310	P310	5.8
UCP311	55	80	310	236	80	20	38	30	154	66	25	16	UC311	P311	7.4
UCP312	60	85	330	250	85	25	38	32	165	71	26	20	UC312	P312	9.4
UCP313	65	90	340	260	90	25	38	35	176	75	30	20	UC313	P313	10
UCP314	70	95	360	280	90	27	40	35	187	78	33	22	UC314	P314	12
UCP315	75	100	380	290	100	27	40	35	198	82	32	22	UC315	P315	14
UCP316	80	106	400	300	110	27	40	40	210	86	34	22	UC316	P316	18
UCP317	85	112	420	320	110	33	45	40	220	96	40	27	UC317	P317	20
UCP318	90	118	430	330	110	33	45	45	235	96	40	27	UC318	P318	24

