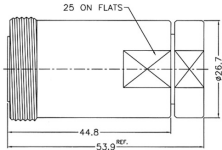


R

RECOMMENDED
CABLE STRIPPING DIM'S

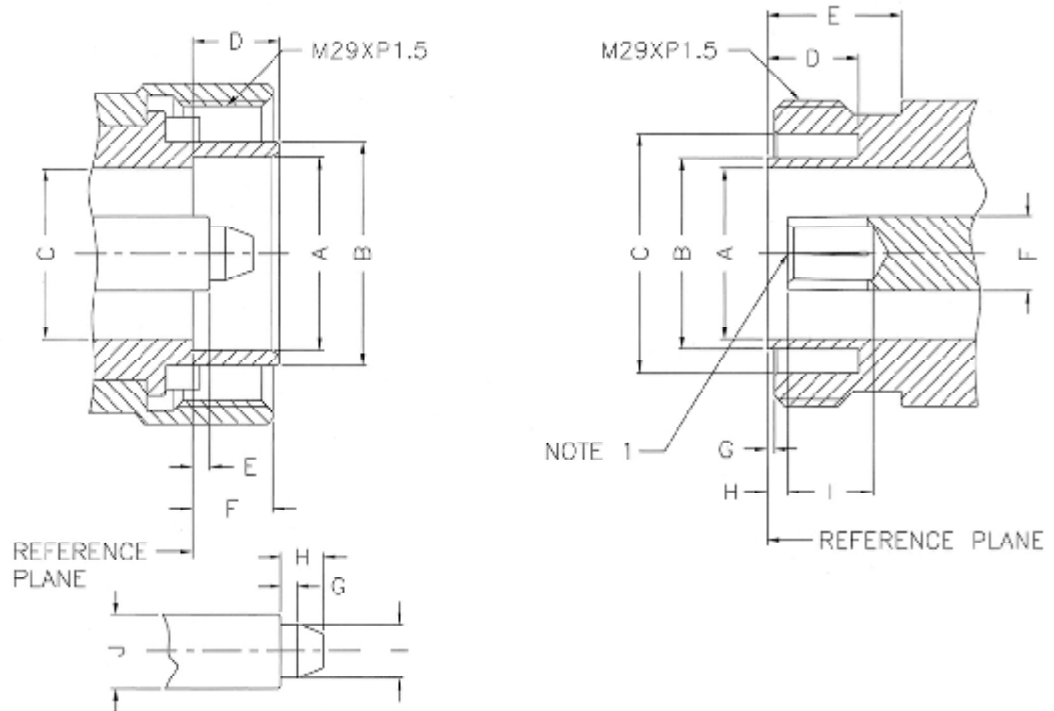


7/16 Series

7/16

Specification

INTERFACE MATING DIMENSIONS



PLUG		
Letter	Millimeters	
	Minimum	Maximum
A	18.03	18.21
B	20.60	21.40
C	15.85	16.25
D	7.00	8.00
E	1.47	1.77
F	7.00	9.00
G	1.40	1.60
H	-	4.50
I	4.96	5.04
J	6.97	7.03

JACK		
Letter	Millimeters	
	Minimum	Maximum
A	15.85	16.25
B	-	18.00
C	22.10	22.90
D	8.10	-
E	10.00	-
F	6.97	7.03
G	0.50	0.70
H	1.77	2.07
I	5.00	-

NOTE 1 : I.D. TO MEET VSWR AND CONTACT RESISTANCE WHEN MATED WITH 4.96/5.04 MM DIA. PIN.

7/16 Series

Specification

7/16

ELECTRICAL

• Impedance	50 ohm
• Frequency Range	0-7.5 GHz
• Working Voltage	2700 VRMS max. at sea level
• Dielectric Withstanding Voltage	4000 VRMS min. at sea level
• VSWR	Straight : 1.3 max. Right Angle : 1.5 max.
• Contact Resistance	Center Contact : 0.4 Milliohms Max. Outer Contact : 0.2 Milliohms Max.
• Insulator Resistance	5000 megohms min.

MATERIAL

Parts Name	Material	Finish
Body, Metal Parts	Brass per QQ-B-626	Silver
Center Contacts	Male : Brass per QQ-B-626 Female : Beryllium copper per QQ-C-530	Silver Silver
Insulators	PTFE	None
Gasket	Silicone rubber	None
Crimp Ferrules	Annealed copper	Silver

Note : Other Material / Finish is Available on Request.

MECHANICAL

• Coupling Nut Retention	225 lbs. max.
• Coupling Proof Torque	310 in- lbs. max.
• Contact Retention	45 lbs. min.
• Durability (Mating)	500 cycles min. (for Beryllium copper female contact only)