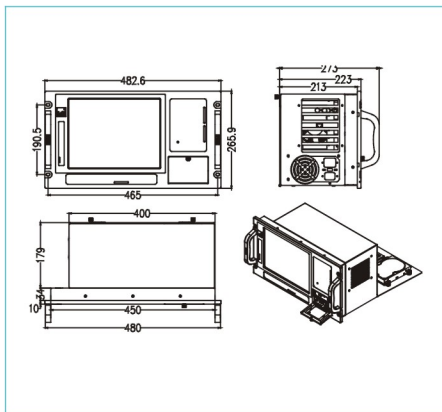




INTRODUCTION

EWS-843V suits a variety of industrial environments and vehicular usages, and can be widely used in different fields, such as military, electric power, electric network, transportation, automation devices, industrial manufacturing, weather monitoring, etc.

DIMENSION



SPECIFICATIONS

- Chassis:** 19" rack, high-quality steel plate, spray-painting silver baking paint on the surface
- Front Panel:** 10mm-thickness hard Al-alloy
- Display:** 12" TFT LCD, VGA interface; resolution 1024 × 768; standby at low power consumption; brightness and contrast ratio of LCD are adjustable
- Backplane:** 6-slot industrial backplane IPC-6106P3(B)/IPC-6106P4
- Power supply:** 270W industrial AT power supply
- Mouse:** Resistive touchpad, fold/unfold structure for protection
- Keyboard:** Multi-function membrane keyboard (39 data entry keys and 10 function keys)
- Disk Bays:** 2 × 3.5" HDD (one's on the rear plate), 1 × 3.5" FDD
- I/O Interface:** Dual USB ports on the front
- Touch Screen:** Optional
- Dimensions (W-H-D):** 450mm × 266mm × 223 mm
- Operating Temp.:** 0°C ~ +50°C
- Storage Temp.:** -40°C ~ +60°C
- Operating Humidity:** 5% ~ 90%, 40°C non-condensing
- Safety:** GB/T 9813 compliant
- EMC:** Limits of radio disturbance conform to standard GB9254-1998 class A. Immunity to disturbance conforms to GB/T 17618 standard.
- Vibration:** 5-16Hz/mm; 16-200Hz/g acceleration
- Anti-shock:** 10g peak acceleration, 11ms duration
- Reliability:** MTBF ≥ 50000h
- Maintainability:** MTTR ≤ 0.5h

ORDERING INFORMATION

Model Number	Description
EWS-843V	EWS-843V All-in-one Workstation / IPC-6106P3(B) Industrial Backplane / PS-7271 AT Power Supply

Images for references only, all product specifications are subject to change without notice.