

Adapter PCMCIA / CFA

# WL912-CF0

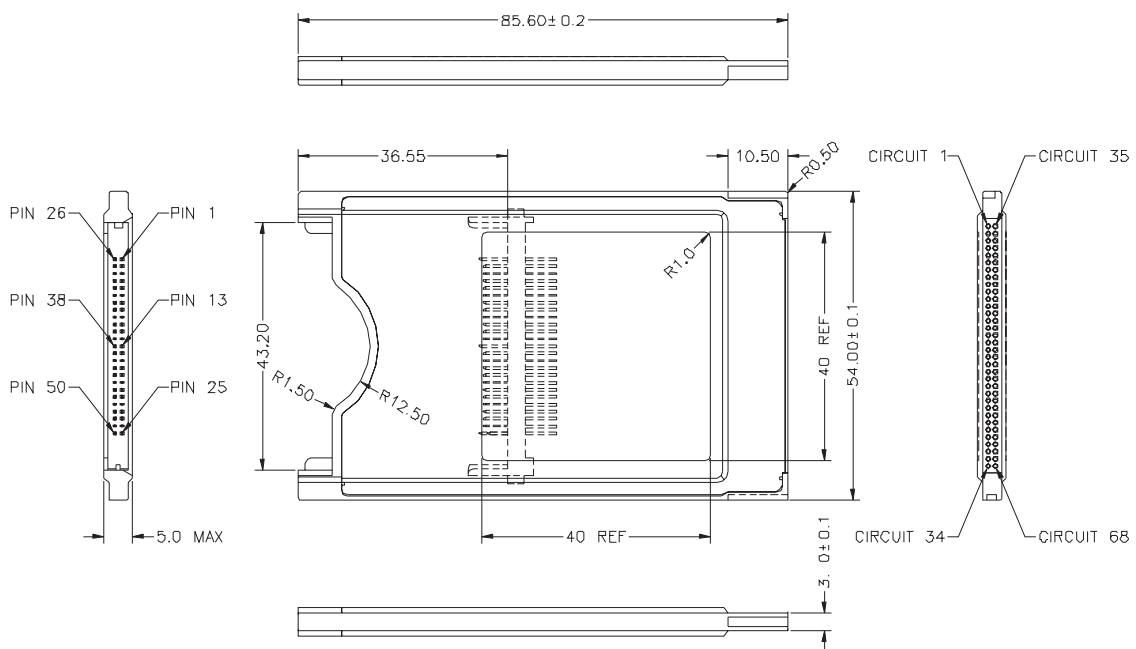
### Features

Easy and fast to assembly  
Excellent structure

### Material

Cover : Stainless Steel  
Housing : P.B.T. Color : Black

## Parts Detail



Pin Number	Pin Length
25,26	3.50
1,13,38,50	5.00
All other Pin	4.25

## Ordering Information

UNIT : mm

P/N:WL912-CF0X

Label size  
 1..... Top label : 40\*40mm / Bottom 40\*56mm  
 2..... Top label : 40\*56mm / Bottom 40\*56mm  
 3..... Top label : 40\*40mm / Bottom 40\*40mm