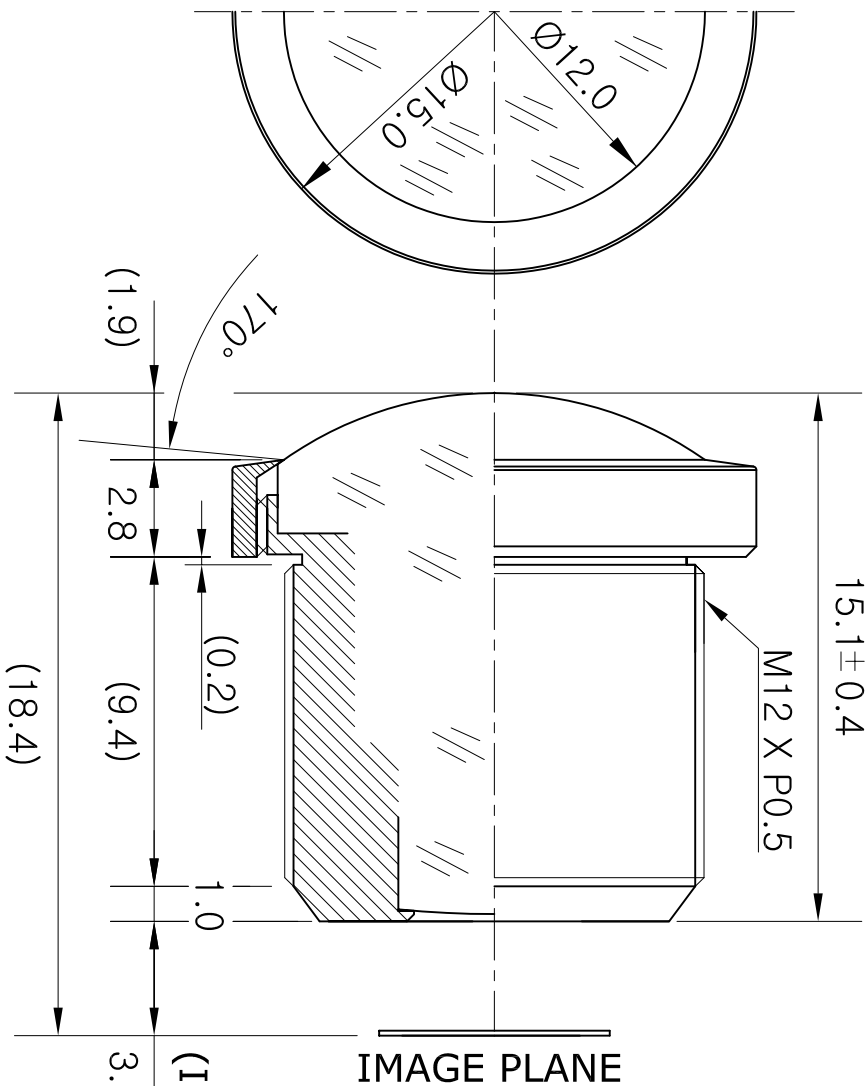


# 1.68 MM (FT TYPE)



1. SENSING AREA : 1/4" (Diagonal 4.5mm)
  2. FOCAL LENGTH : 1.68MM ±5%
  3. BACK FOCAL LENGTH : 3.48MM ±5% (IN AIR)
  4. MAXIMUM RELATIVE APERTURE : 2.5 ±5%
  5. IRIS : FIXED IRIS
  6. LENS CONSTRUCTION : 5 COMPONENTS 5 ELEMENTS
  7. ANGULAR FIELD OF VIEW : DIAGONAL 170.0°  
HORIZONTAL 132.9°  
VERTICAL 101.1°
  8. MINIMUM OBJECT DISTANCE : 40CM -00
  9. WEIGHT : 6.4gr
- ( IT IS CHANGEABLE ON EXTERNAL DIMENSION BY  
BY CUSTOMER'S REQUIREMENT.)

3.3 ± 0.3  
(IN AIR)

NO.	DESCRIPTION	TOLERANCES	MATERIAL	SIZE	Q'TY	REMARK
DRAWN						
CHECKED		ANGLE 1.2°				
APPROVED		X. ± 0.2 .X ± 0.1 .XX ± 0.05				
SCALE	1/4					

TITLE  
f = 1.68MM Fno 2.5  
Wide-angle Lens



Hankwang  
Opto Corporation.

DRAW NO.  
240518

SHEET NO.

E-Mail : hki9612@ktnet.co.kr  
Website : www.hankwangopto.com