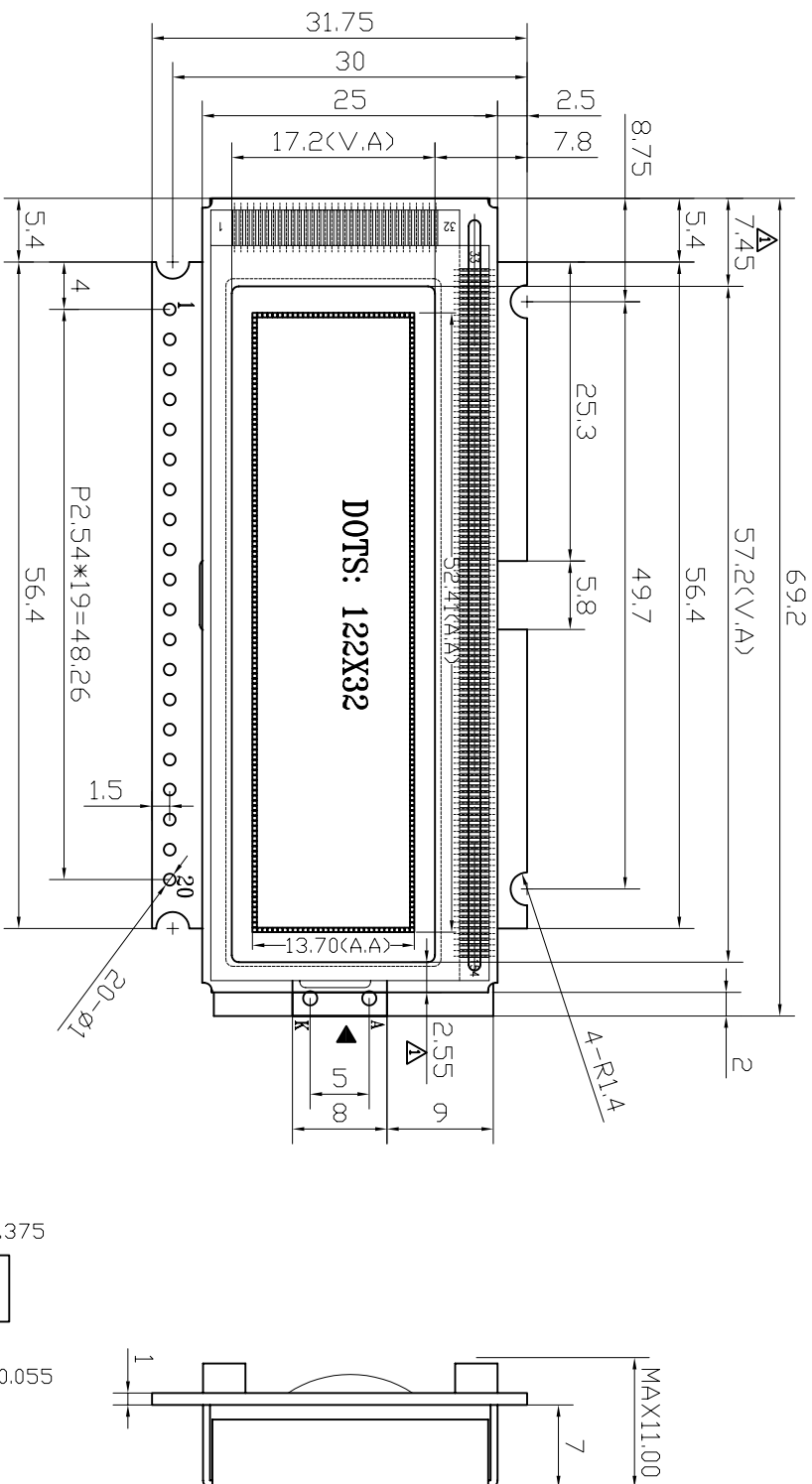
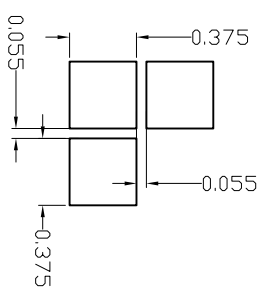


导电胶条: YS:(L\*H\*W)62\*5.6\*2.5



PIN 1	2	3	4	5	6	7	8	9	10	11	12	13	14	15	16	17	18	19	20
PIN VSS	VDD	V0	VOUT	A0	E1	E2	D0	D1	NC	NC	D2	D3	D4	D5	D6	D7	NC	A	K



NOTE:  
1. Yellow-Green LED Backlight.  
2. 组装要求: LCD A. A区域相对铁框V. A必须上下、左右均居中; 无压筋端的铁框脚必须压到PCB上, 不得悬空。

深圳市新深辉显示技术有限公司

CHINA DISPLAY TECHNOLOGY CO., LTD

NO	REVISED RECORD	Time	LCM SPECIFICATION	FSTV/NEGATIVE	5. VDD	5.0 V	APPROVED BY	CUSTOM NO.	DESTICX NO & (VERSION)	MD01422	VERSION	±0.2
A	修改标记: ▲共两处。	06.4.5	1. DISPLAY TYPE	12 0' CLOCK	6. OPERATIVE TEMP.	-20° C TO 70° C	CHECKED BY					
B	修改标记: ▲共一处。	06.4.11	2. VIEWING DIRECTION	TRANSMISSIVE	7. STORAGE TEMP.	-30° C TO 80° C	DRAWING BY					
C			3. POLARIZER MODE	1/32 DUTY 1/6 BIAS	8. CONNECTOR							
D			4. DRIVE METHOD									

PAX NO.: 0755-8252915