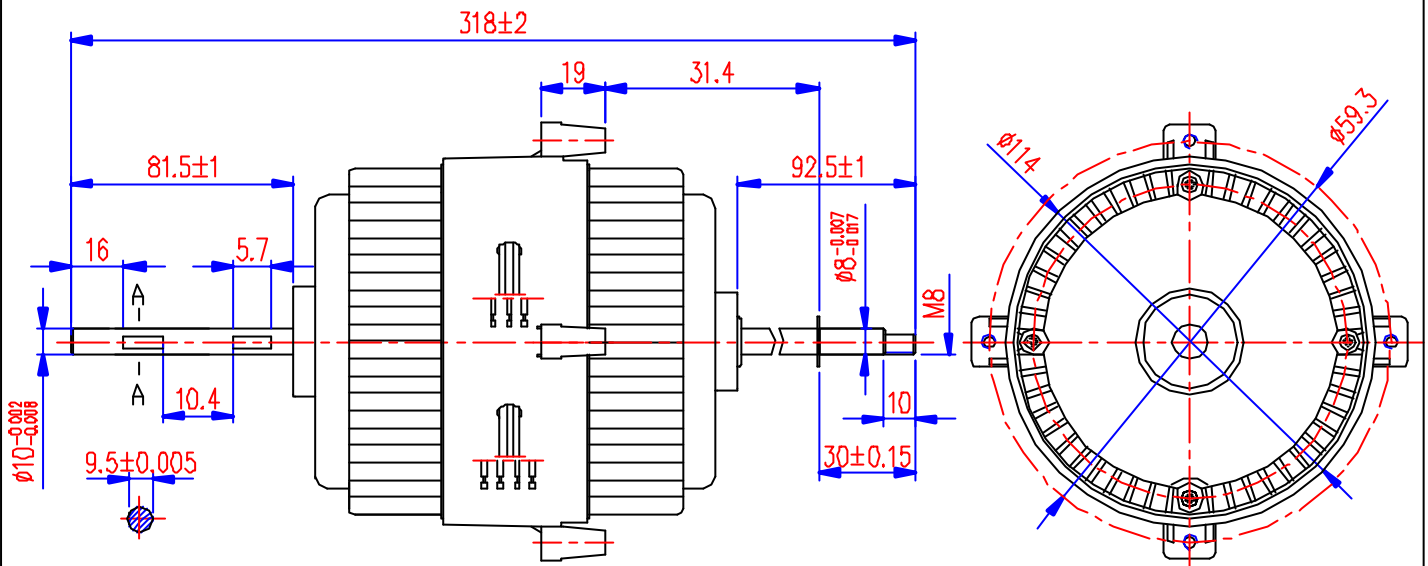
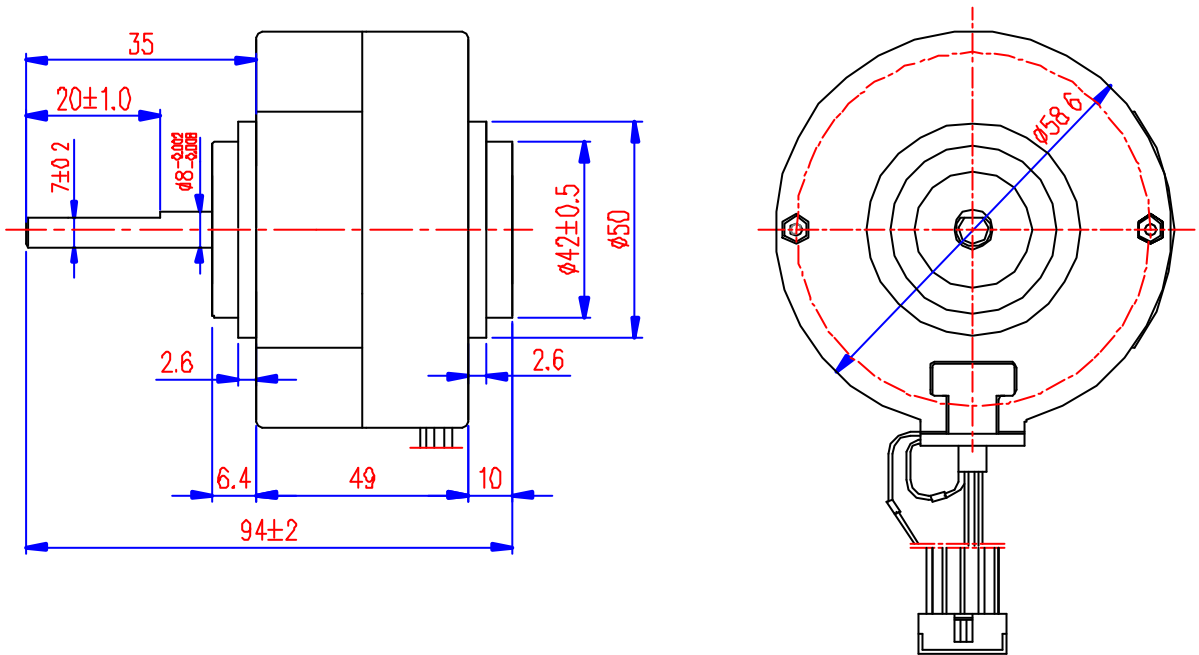


AC909



YDK-10D-4



Motor Model	Voltage (V)	Frequency (Hz)	Speed (rpm)	Output Power(W)	Capacitance (μF)	Poles (P)	Use
AC909	120	60	1440	10	3.0	4	Air-Conditioner fan motor
	120	60	1300	20	2.5	4	
YDK-10D-4	220	50	1250	10	1.0	4	Air-Conditioner fan motor