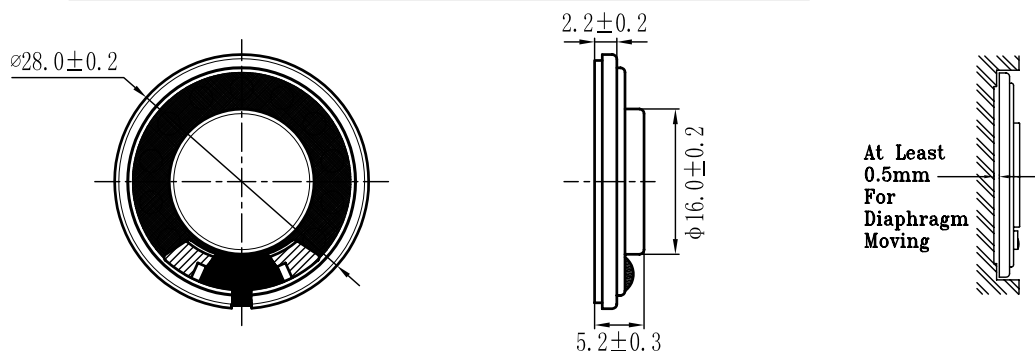
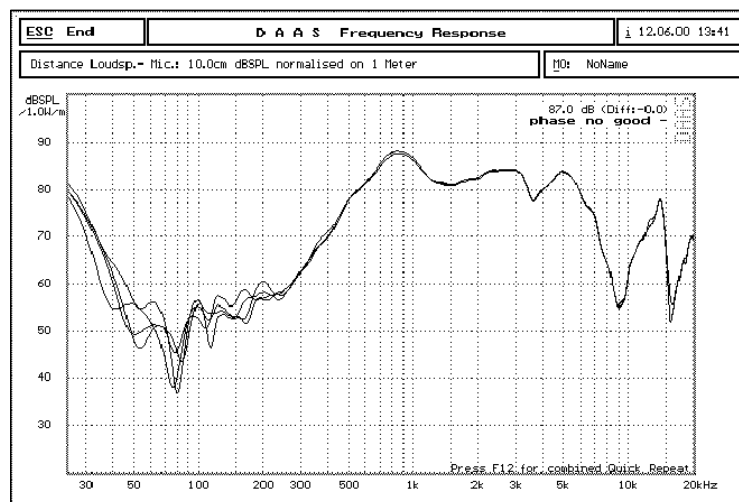


XIAMEN HONCH INDUSTRIAL SUPPLIERS CO LTD

TEL:+86-592-5020537 FAX: +86-592-5020137 <http://www.globalsources.com/honch.co>

1	MODEL	F28M183B(GP)(28CS08ME-75BD2)
2	Dimension	Outer Diameter 28 mm Baffle Opening 25.3 mm.
		Height Refer to drawing Weight 7.0 Gram.
3	Magnet	Materials Rare Earth Size $\phi 12.5 \times 1.5$ mm.
4	Nominal Impedance	8 Ohm $\pm 15\%$
5	Power Rating	Normal 2.0 W. Maximum 4.0 W.
6	Lowest Resonant Frequency	840 \pm 168 Hz
7	Output Sound Pressure Level	83 ± 3 dB / 1 Watt 1 Meter.
		Average at 1000,1200,1500,2000 Hz
8	Frequency Range	440~7000 Hz. Average SPL-10 dB.
9	Distortion	5 % Maximum At 1000 Hz 2.0 W.
10	Abnormal Sound Test	Must be Normally Tested By 4.0 Volts Sine Wave.
11	Load Test	White Noise with Weighted Filter 4.0 Volts. (RMS) 24 Hrs.
12	Operation Temperature	-25°C ~ +60°C
13	Storage Temperature	-40°C ~ +70°C
14	Polarity	Diaphragm shall move Forward when Apply a Positive DC
		Current to the "+" or "Marked" Terminal.
15	Remarks	Above specifications on the strength of CNS4784 and CNS4785.



Unit:mm

保存有效期限：一年

Admitted:

Approved:

Made: