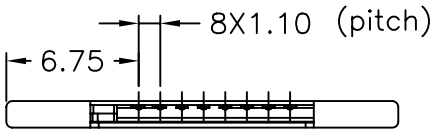
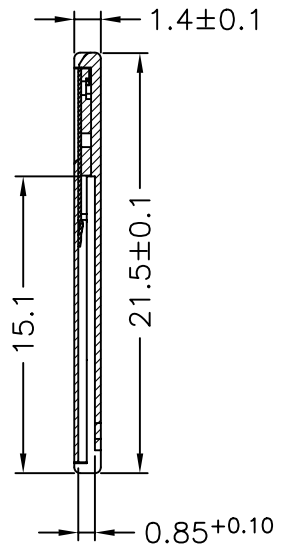
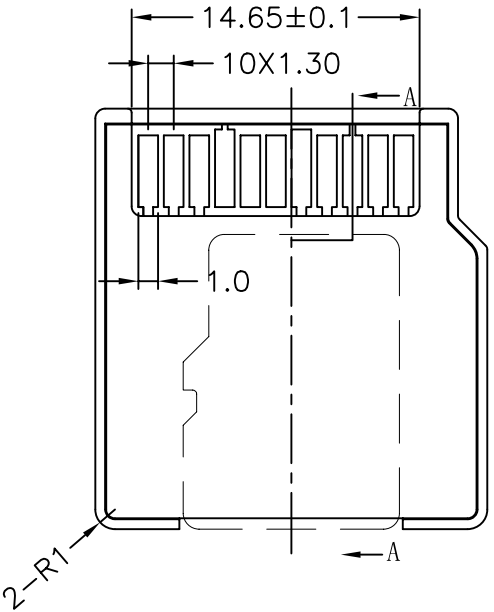
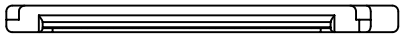
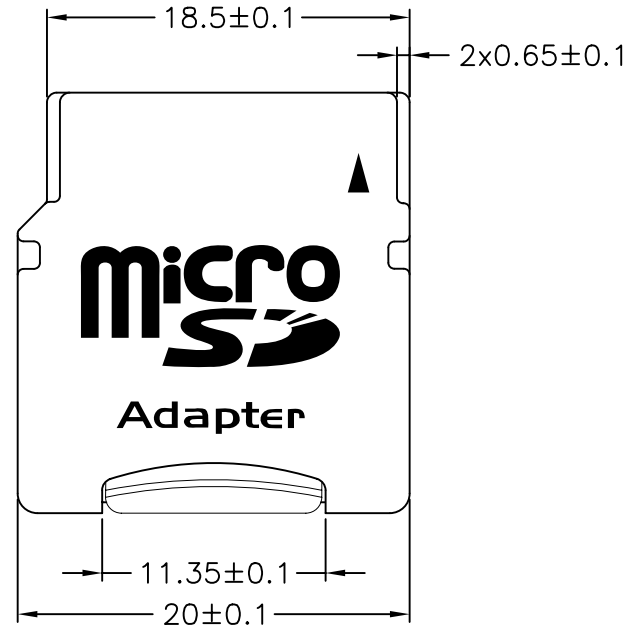


10 9 8 7 6 5 4 3 2 1

F  
E  
D  
C  
B  
A



Ordering Info.: M T M 3 0 - W 1 3 0 - 3 X X  
 SERIES NO. \_\_\_\_\_ PACKING TYPE  
 0..... tray  
 LOGOTYPE OPTIONS \_\_\_\_\_ INSULATOR COLOR  
 0..... none  
 3..... print  
 0..... black



SECTION: A-A

- NOTES:
1. Material : Plastic : Thermoplastic, Black .  
 contct : Phosper Bronze,C5210 , T=0.15mm .
  2. Unless Otherwise Specified, All R=0.2mm.
  3. Plastic Distortion Tolerance 0.1mm Max.
  4. Level up Tolerance Of Contact 0.1 Max.
  5. Plating : Under Plating: Nickel 50u"  
 Contact Area: Au 5u"

EC NO: A	DRWN: CH'KD: APPR:	DESCRIPTION	GENERAL TOLERANCES (UNLESS SPECIFIED)		SCALE	DESIGN UNITS	WISE POWER TECH.CO.LTD	
			mm	INCH	N/A	METRIC	TITLE	
			4 PLACES	± ---	± ---	THIRD ANGLE PROJECTION	micro sd to mini sd adapter	
			3 PLACES	± 0.02	± ---		SYMBOLS MAJOR CRITICAL	
2 PLACES	± 0.05	± ---	DRAWN BY	DATE	QUALITY <input checked="" type="checkbox"/> =0	<input checked="" type="checkbox"/> =0	REVISE ON CAD ONLY	
1 PLACE	± 0.10	± ---	CHECKED BY	DATE	PART NO.	DOCUMENT NO.	SHEET NO.	
ANGULAR ± 3 °			APPROVED BY	DATE	MTM30-W130-3XX	MTM30-W130-3XX	1 OF 1	

10 9 8 7 6 5 4 3 2 1