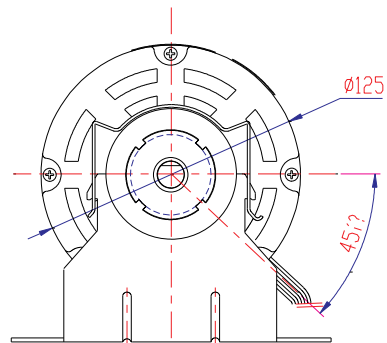
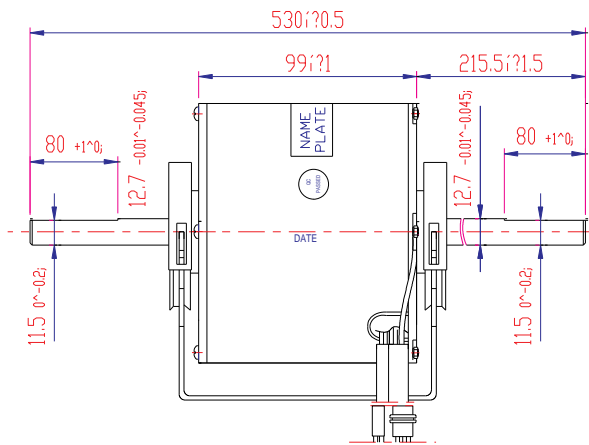
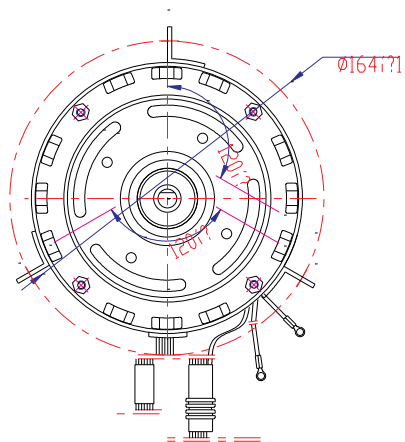
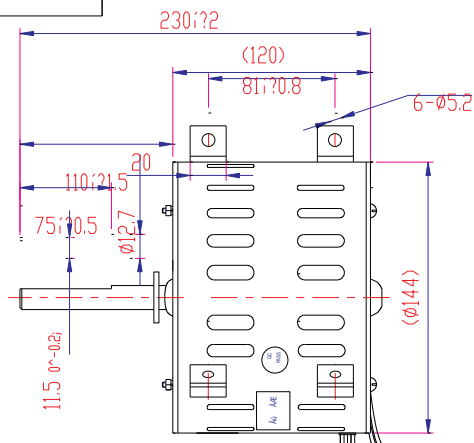


YDK-090D4G23S-02



YDK-480-4



Motor Model	Voltage (V)	Frequency (Hz)	Speed (rpm)	Output Power(W)	Capacitance (µF)	Poles (P)	Use
YDK-090D4G23S-02	230	60	1450	90	4.0	4	Air-Conditioner fan motor
YDK-480-4	230	50	1240	550	15	4	Air-Conditioner fan motor