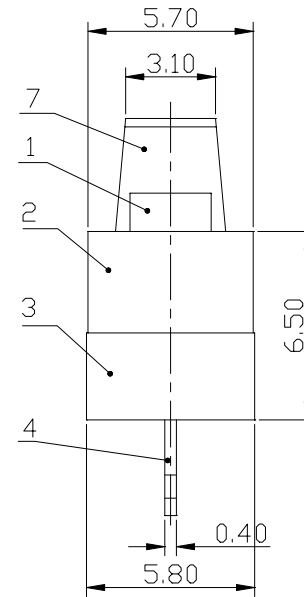
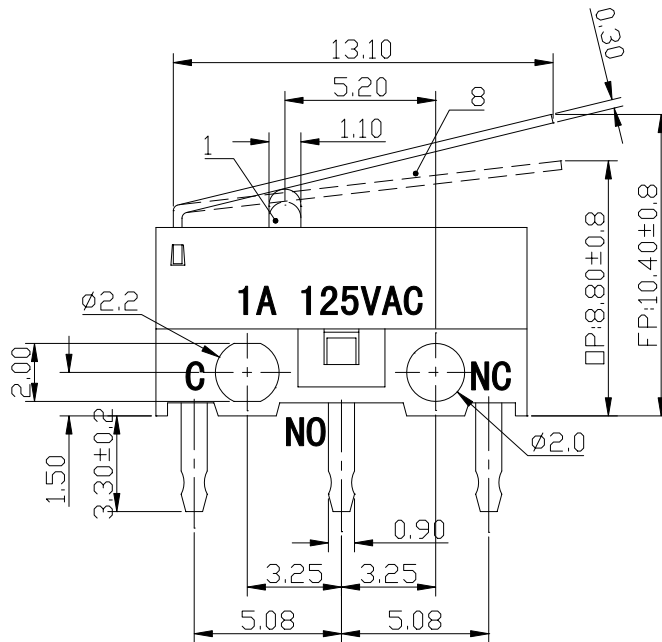


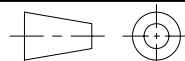
SCHEMATIC



# KWAN DA INDUSTRIAL CO., LTD.

TITLE : MICRO SWITCH

MODEL : MX-104



TOLERANCE  
 ≤ 1.5mm 0.1  
 > 1.5mm 0.2

ANGLE TOL  
 氮2

UNIT : MM	DWN.	DATE
SCALE : 4 : 1	CHK'D	DATE
VERSION 01	APPD.	DATE

NO.	PART NAME	MATERIAL	QTY.	FINISHING
7	STEEL KNOB	SUS	1	NATURE
6	CONTACT POINT	SILVER ALLOY	1	NATURE
5	SPRING PLATE	BeCu	1	NATURE
4	TERMINAL	BRASS STRIP	3	Ag PLATED
3	CASE	PBT	1	WHITE
2	COVER	PBT	1	BLACK
1	BAR	POM	1	WHITE
NO.	PART NAME	MATERIAL	QTY.	FINISHING