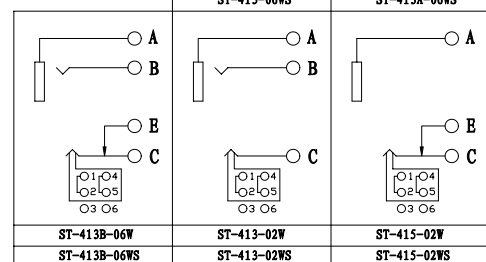
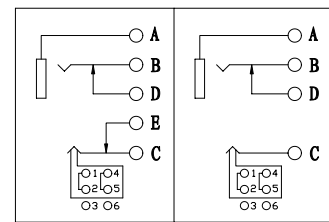
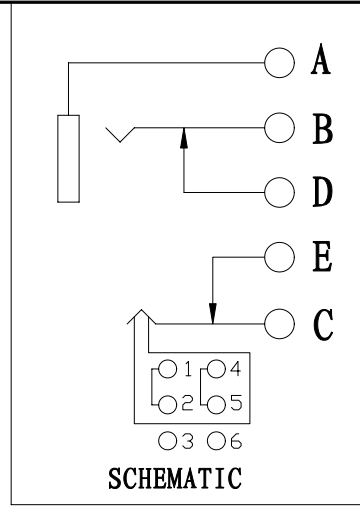
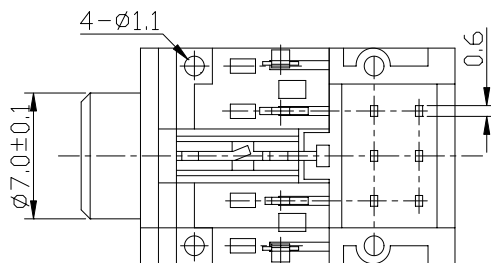


HOLE LAYOUT
(BOTTOM VIEW)

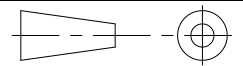


NO.	PART NAME	MATERIAL	QTY	FINISHING
11	SPRING	STEEL WIRE	1	NATURE
10	CONTACT CLIP	PBS	1	Ag CLAD
9	KNOB	POM	1	BLACK
8	COVER	POM	1	BLACK
7	TERMINAL E	BRASS STRIP	1	Ag PLATED
6	TERMINAL D	BRASS STRIP	1	Ag PLATED
5	TERMINAL A	BRASS STRIP	1	Ag PLATED
4	SPRING C	PBS	1	Ag PLATED
3	SPRING B	PBS	1	Ag PLATED
2	CASE	NYLON	1	BLACK
1	HOUSING	POM	1	



KWAN DA INDUSTRIAL CO., LTD.

TITLE : PHONE JACK
MODEL : ST-413-06W (W162)



UNIT	MM	DWN.	DATE	TOLBRANCE	ANGLE
SCALE	2.5 : 1	CHK'D	DATE	<= 5mm 0.1	氮2
VERSION	01	APPD.	DATE	> 5mm 0.2	