

LINE SENSE REED RELAY EDR0 18 SERIES

■ FEATURES

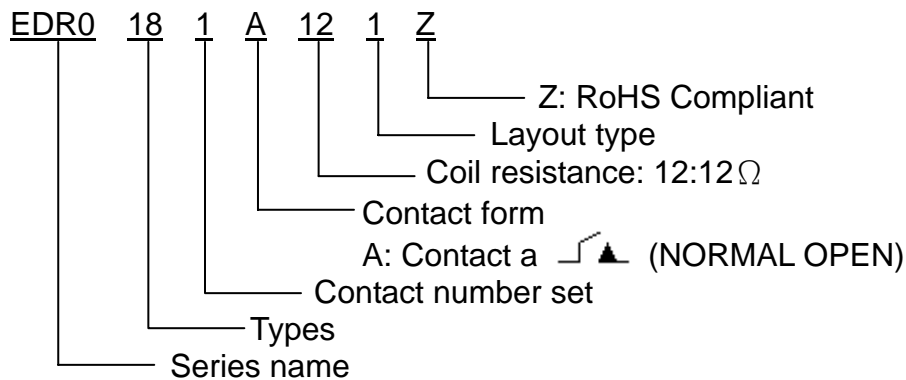
- Low coil resistance.
- Less than 15mA Pull-In-Current possible.
- Coil-Contact isolation voltage up to 4250 VDC / 3000 VAC.
- Position of pin is optional.
- Wide operation current and low power consumption.
- A sealed metal outer case is used to prevent interference by magnetic fields and also to protect the coil during PCB assembly.
- This product of line sense reed relay are designed for use as telephone line busy detectors.



■ SPECIFICATIONS

Types	18
Contact Form	1A
Contact Rating	
Maximum switching power	10VA
Maximum switching voltage	100VDC
Maximum switching current	0.5A
Maximum carry current	1.0A
Nominal Input Power	
Reference 5V Version	NOT APPLICABLE
Contact Resistance, Initial	150mΩ
Contact Material	Rhodium
Life Expectancy	
Signal level load (ref 10VDC,10mA)	10x10 ⁶
Timing (at nominal VDC, 25Hz drive, 50% duty cycle with diode suppression)	
Operate time, maximum (Including Bounce)	1.0ms
Release time, maximum	0.5ms
Dielectric Voltage	
Coil to contact	3000VAC
Across contacts	150VDC
Insulation Resistance(Ω)	100x10 ⁶
Temperature Range	-10°C to +60°C
Shock Resistance	30G Min.
Electrical Life at Rated Load	10 ⁶
Package Type	METAL
Can Be Found In This Section of Brochure	PITCH 25.4mm

■ PART NUMBER SYSTEM



Part Number	Coil Resistance (Ohms+/-10%)	Nominal Input Power(mW)	Nominal Current(mA)	Must Operate Current(mA)	Must Release Current(mA)	Maximum Current(mA)
EDR0181A071/2	7	2.8	20	15	5	200
EDR0181A091/2	9	3.6	20	15	5	200
EDR0181A121/2	12	4.8	20	15	5	200
EDR0181A151/2	15	6.0	20	15	5	200
EDR0181A181/2	18	7.2	20	15	5	200

■ DIMENSIONS (UNIT: mm)

