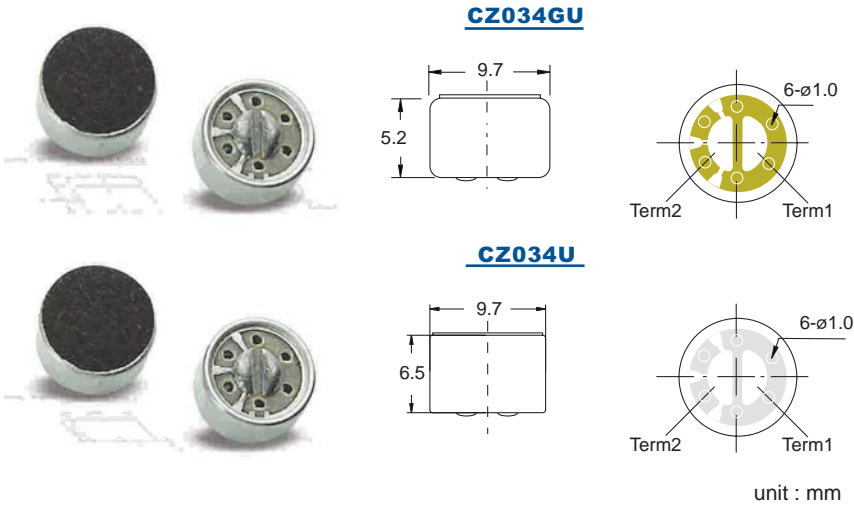


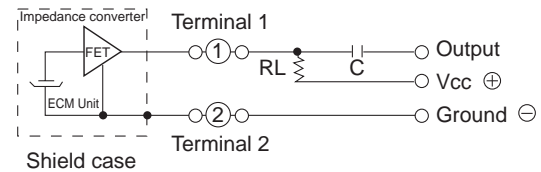
**Unidirectional
CZ034GU (ø9.7X5.2)
CZ034U (ø9.7X6.5)**



Specification

- 1) Sensitivity : As part no. table
- 2) Directivity:
- 3) Impedance : Low impedance
- 4) Current consumption : Max.500uA
- 5) Standard operation voltage : 1.5V
- 6) Sensitivity reduction : Within-3dB at 1V
- 7) S/N ratio : More than 58dB

Schematic Circuit
(Test Condition : As part no. table)



PART NO. TABLE		
Sensitivity (0dB=1V/pa, 1KHz)	(Vs=1.5V, RL=680Ω)	
	CZ034GU	CZ034U
-47 ± 4dB	CZ034GU474	CZ034U474
-51 ± 4dB	CZ034GU514	CZ034U514

Typical Frequency Response

