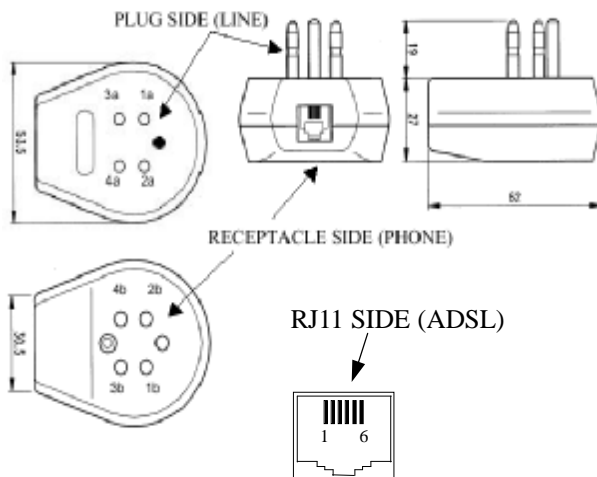


- ★ **Compact package, includes connectors for ease of installation**
- ★ **Design for G.lite Application**
- ★ **100 mA DC Loop Current Capacity**

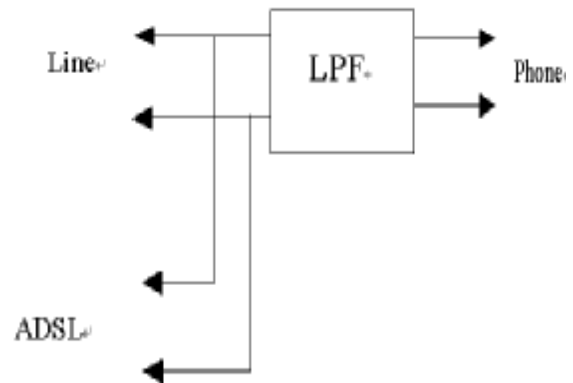
Specifications

| | | | |
|---------------------------------|------------------|-------------------------------|------------|
| POTS Port Impedance | 270Ω+150nF//750Ω | DC Resistance each line | 25Ω Max |
| Insertion Loss @1KHz | -1dB Max | Return Loss @300Hz~500Hz | -14 dB Min |
| Insertion distortion @200~4 KHz | ±1.1dB | @500Hz~2KHz | -18 dB Min |
| Attenuation @32~60 KHz | -15dB Min | @2KHz~3.4KHz | -14 dB Min |
| @60K ~600kHz | -25dB Min | Isolation resistance tip/ring | 25M Ω Min |
| In Band Ripple | 1dB Max | | |
| Longitudinal Balance @200Hz~3K | -53 dB Min | | |
| POTS Tip and Ring DC Voltage | 0-105V | | |

Dimension



Schematic



| Connector | Function | Style | Tip | Ring |
|-----------|----------|------------|------|------|
| J1 | Line | Plug | Pin2 | Pin4 |
| J2 | Phone | Receptacle | Pin2 | Pin4 |
| J3 | ADSL | RJ11 | Pin3 | Pin4 |

Data sheet subject to change without notice

Head Office & Factory 248-32 號 5F
Build-B, 5F, No. 248-32, Hsing-Shen Rd., Cheng-Jeng Dist.,
Lin-Kung Proc. Zone, Kaohsiung, Taiwan, R.O.C.
TEL:886-7-8153618 Fax:886-7-8150747

www.magcom.com.tw

PRELIMINARY

BAS089(06/2004) A