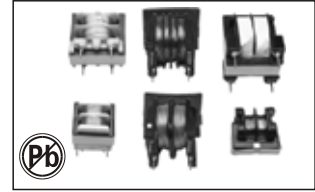


# THROUGH-HOLE COMMON MODE CHOKES LF SERIES



## FEATURES:

- 0.3A to 10A ratings, low temperature rise
- 0.7mH to 100mH dual chokes
- Excellent Mechanical Strength
- 100KHz to 3MHz common mode resonance
- High Reliability and variant PCB-mount housing
- Low resistance and temperature rise

## OPTIONS:

- Bulk packaging is standard
- Custom design available

## COMMON APPLICATIONS:

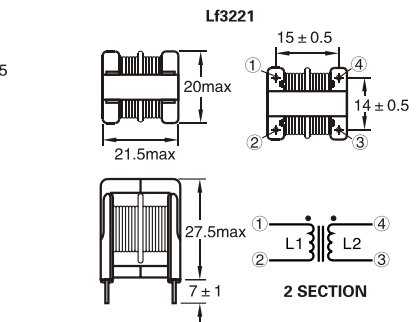
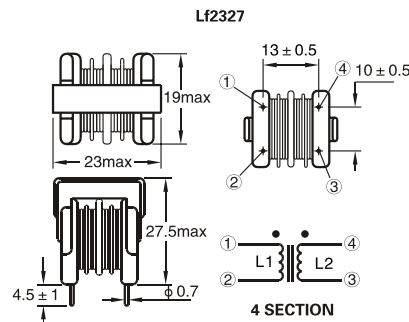
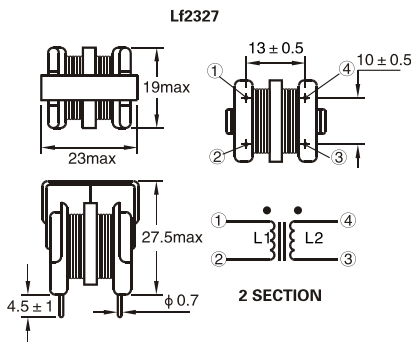
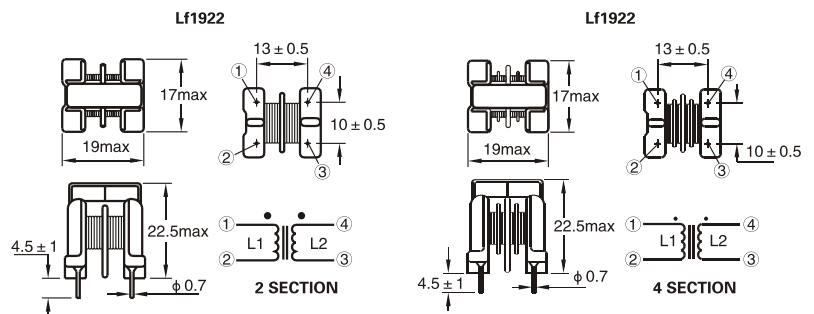
- DC/DC, AC/DC line noise suppression
  - Communication System
  - Automotive Systems
  - LCD/PDPTelevisions
  - Computer Peripheral Equipment
- It accord with the standards of FCC VCCI CISPR FTZ, etc, eliminating of electromagnetic noise of power and signal circuit.

## ELECTRICAL CHARACTERISTICS:

Part Number	Inductance L mH	Inductance Tolerance (uH)Max	DCR mΩ Max	IDC Max A	Part Number	Inductance L mH	Inductance Tolerance (uH)Max	DCR mΩ Max	IDC Max A
LF2327-453Y	45.0	200	2.5	0.5	LF1922-601Y	0.6	50	0.15	1.5
LF2327-323Y	32.0	20	2.0	0.5	LF1922-601Y	0.6	50	0.12	2.0
LF2327-253Y	25.0	160	1.2	0.5	LF1922-103Y	10.0	300	2.0	0.3
LF2327-203Y	20.0	160	1.2	0.5	LF1922-502Y	5.0	200	1.2	0.5
LF2327-143Y	14.0	140	1.0	0.5	LF1922-302Y	3.0	60	0.5	0.9
LF2327-103Y	10.0	140	0.8	0.8	LF1922-202Y	2.0	100	0.4	1.0
LF2327-792Y	7.9	100	0.8	0.8	LF1922-102Y	1.0	100	0.4	1.0
LF2327-602Y	6.0	100	0.8	0.8	LF3221-503Y	50	300	3.0	0.3
LF2327-402Y	4.0	100	0.7	0.8	LF3221-353Y	35	260	2.0	0.5
LF2327-252Y	2.5	80	0.6	0.8	LF3221-250Y	25	230	1.2	0.8
LF2327-182Y	1.8	80	0.6	0.8	LF3221-203Y	20	200	0.7	0.9
LF2327-102Y	1.0	60	0.4	1.0	LF3221-183Y	16	180	0.5	1.0
LF1922-752Y	7.5	100	2.0	0.4	LF3221-123Y	12	150	0.4	1.0
LF1922-502Y	5.0	200	2.0	0.3	LF3221-103Y	10	120	0.25	2.0
LF1922-302Y	3.0	150	1.2	0.5	LF3221-752Y	7.5	100	0.2	2.0
LF1922-202Y	2.0	100	0.4	1.0	LF3221-502Y	5.0	80	0.15	3.0
LF1922-102Y	1.0	100	0.4	1.0	LF3221-302Y	3.0	60	0.1	3.0
LF1922-102Y	1.0	50	0.14	1.6	LF3221-152Y	1.5	50	0.06	4.0
LF1922-801Y	0.8	50	0.2	1.5	LF3221-102Y	1.0	50	0.03	5.0

## TECHNICAL INFORMATION & PHYSICAL CHARACTERISTICS:

- Max operating voltage:250V at 40°C
  - IDC Max: rating AC/DC current A @40°C
  - Hi-Pot 2500V AC winding to winding 3S.
  - Insulation resistance 100MΩ Min DC 500V
  - Temperature Rise Max:40°C
  - Inductance Testing: 10KHz 0.1V HP4284A
  - RDC:QuadTech 1880 Milliohmeter
  - Surge current Max 10ms: 20X IDC
  - Operating temperature: -40°C to +105°C
  - Storage Temperature: -40°C to +105°C
  - Resistance to soldering heat:260°C for 10 seconds
  - Marking: Part number and date code
- Note:All specifications subject to change without notice.



DIMENSIONS IN:mm