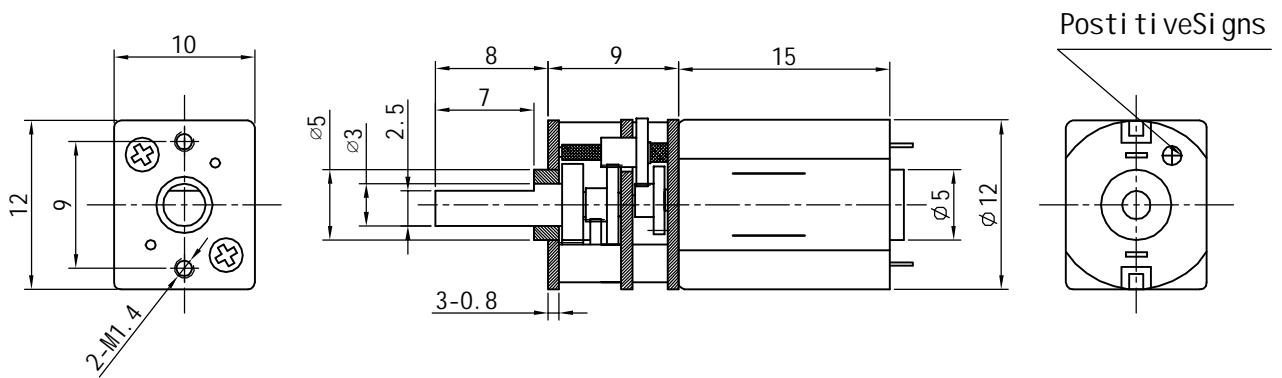


SPECIFICATIONS

MODEL	KM-12FN20-307-0329	RATED VOLTAGE	DC 3V	SAMPLE NUMBER	
-------	--------------------	---------------	-------	---------------	--

OUTLINE



VOLTAGE	NO LOAD		ON LOAD				
	CURRENT	SPEED	CURRENT	SPEED	TORQUE	OUTPUT	EFF
V	A	rpm	A	rpm	Kg. cm	W	%
3	0.039	29	0.079	23.7	0.3	0.073	30.7

REFERENCE CHARACTERISTICS

- 1 DIRECTION OF ROTATION: ANTI-CLOCKWISE WHEN VIEWING MOTOR OUTPUT SIDE WITH POSITIVE VOLTAGE APPLIED TO POSITIVE TERMINAL
- 2 NO LOAD: CURRENT: $\leq 0.06A$
- 3 NO LOAD: SPEED: 29 RPM $\pm 10\%$
- 4 MOTOR END PLAY: ≤ 0.4 MM
- 5 OPERATING TEMPERATURE RANGE: $-10^{\circ}C \sim +60^{\circ}C$
- 6 OPERATING HUMIDITY RANGE: 20 %-90%
- 7 GO WITH MOTOR RANGE: N20 3V 8700rpm/min

CUSTOMER APPROVAL:

PREPARED BY		APPROVED BY		DATE	
-------------	--	-------------	--	------	--