



Butterfly

Flexible your work space



Cable Management



Anti-Theft Kit



Quick Release



Height Adjustment



EGL-200

EGL-201

EGL-202



EGL-300



EGL-301

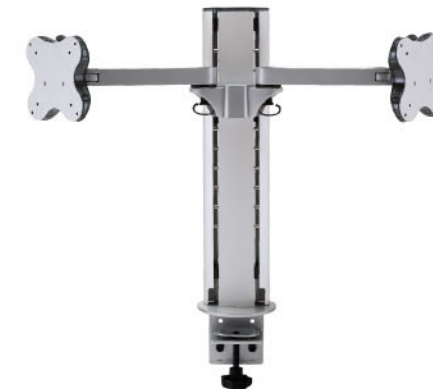


EGL-302

### LCD Monitor Arm

Clamp Mount Type  
Grommet Mount Type

- Ball joint design (360° rotation, ±30° tilt)
- 1~2 Monitors
- Monitor weights up to 12 kg (15"~21")
- Aluminum Die-Casting profile
- Manual height adjustment
- Cable management
- Monitor quick release mechanism
- 75/100 mm VESA bracket
- Anti-theft kit as an option



EGL-201D



EGL-202D



EGL-301D



EGL-302D