

**T1/E1/CEPT/ISDN-PRI  
Transformer Module**

**Part Number:**

**HR604064**

**Electrical Specification @25°C**

Isolation: 1500Vrms (Primary to Secondary)

PRI OCL: 1.2mH Minimum @100KHz 50mV

TX Turns Ratio: 1:2CT ±2% (PRI:SEC)

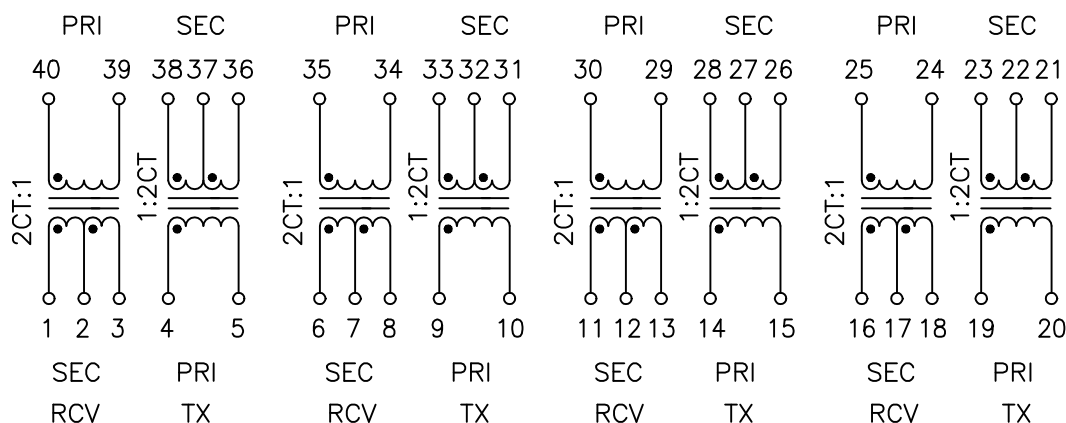
RCV Turns Ratio: 1:2CT ±2% (PRI:SEC)

PRI/SEC Cw/w: 35pF Maximum @100KHz 50mV

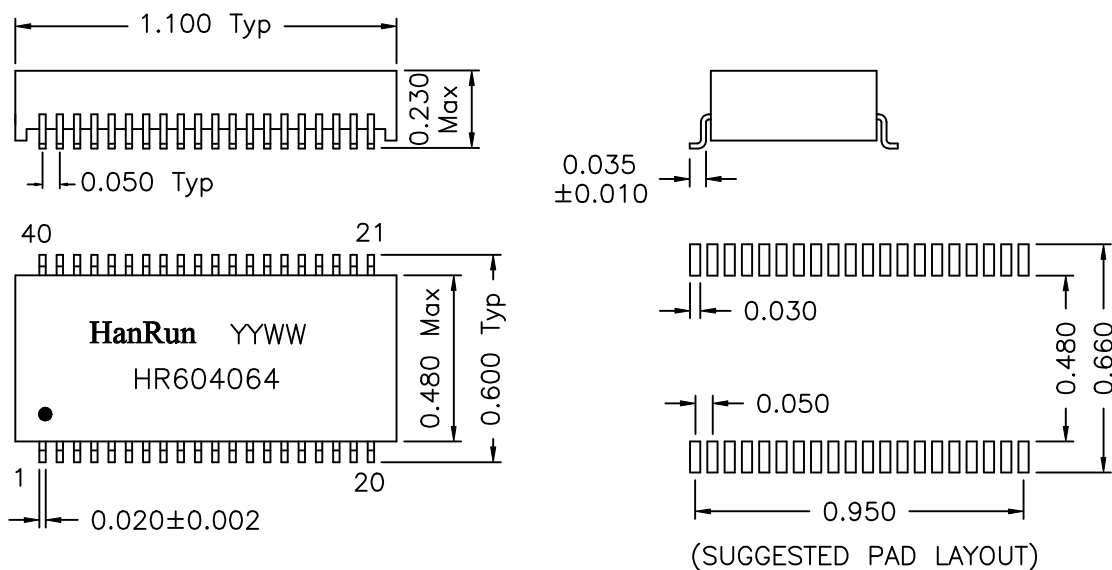
PRI Leakage Inductance: 0.6uH Maximum @100KHz 50mV SEC Shorted

Crosstalk: -65dB Typical

**Schematics**



**Mechanical Dimensions**



Part No.: HR604064	Unless otherwise specified, Tolerance: .xxx ±0.010	Rev: A	DRWN:	Date:
Dimensions in inches		Page 1/1	APPD:	Date: