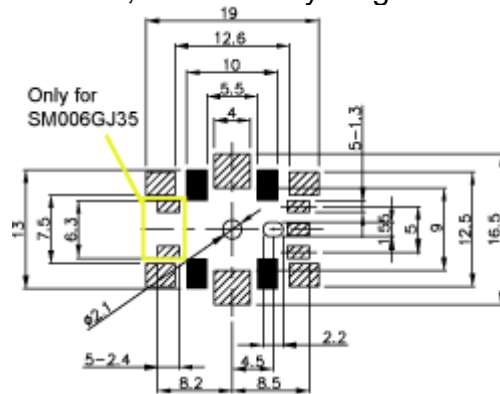


SM006 SERIES
SMT ENCODER SWITCH, UP TO 10mA 5VDC
30 Detent Rotation & Center Push on switch; 4.5mm body height



- Rotational Rating: 10mA 5VDC
Switch push on Rating: 0.5mA 16VDC
- Rotational 30 detent, 15 pulses
- Insulation resistance: 100M ohm 100VDC 1min.
- Dielectric strength : 250 VAC for 1 minute
- Operating Temperature: -10 °C ~ + 60 °C (45%~85%RH)
- Operating Life: Encoder 15,000 cycles, Switch 20,000 cycles
- Soldering temper.: 240°C, 30s Max.
- Operating Force: Rotational 100gf+/-50; Push on 350gf+/-50
- Application: Level controls for car audio & car navigation system and various controls
- Part number:
SM006GJ00- without push on switch
SM006GJ35- with push on switch

SM006GJ35

