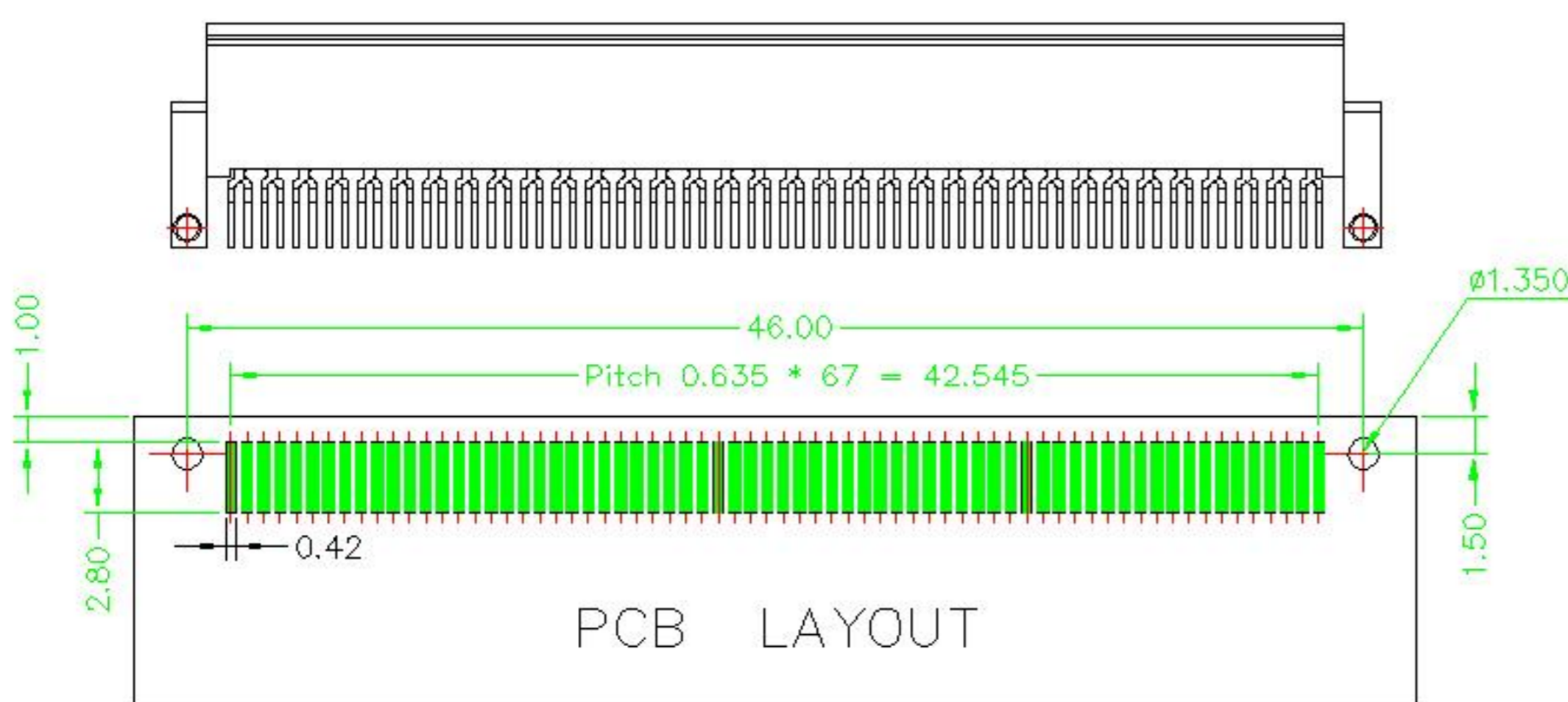
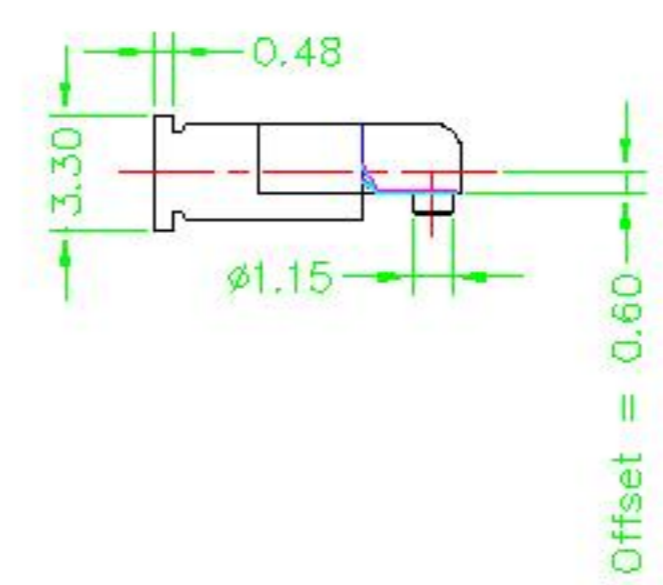
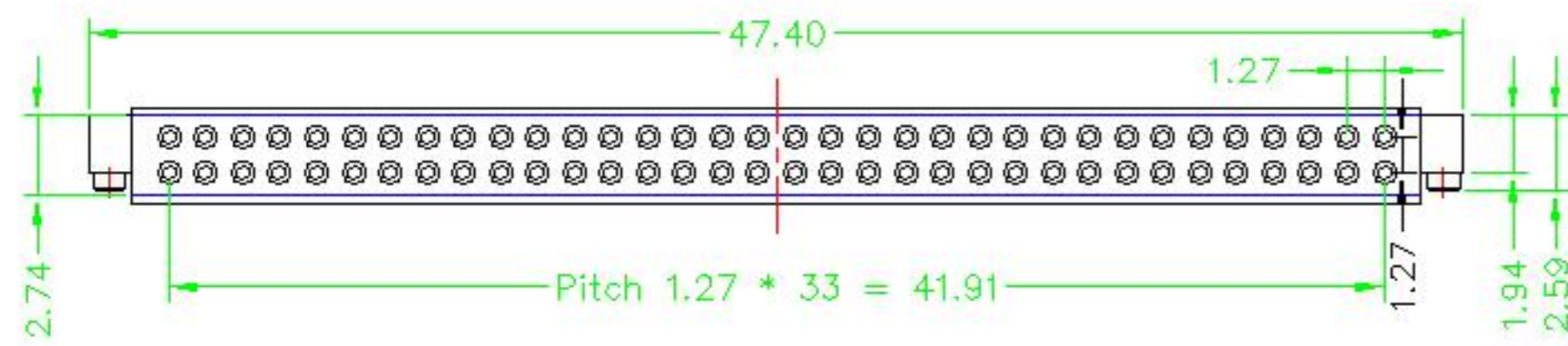
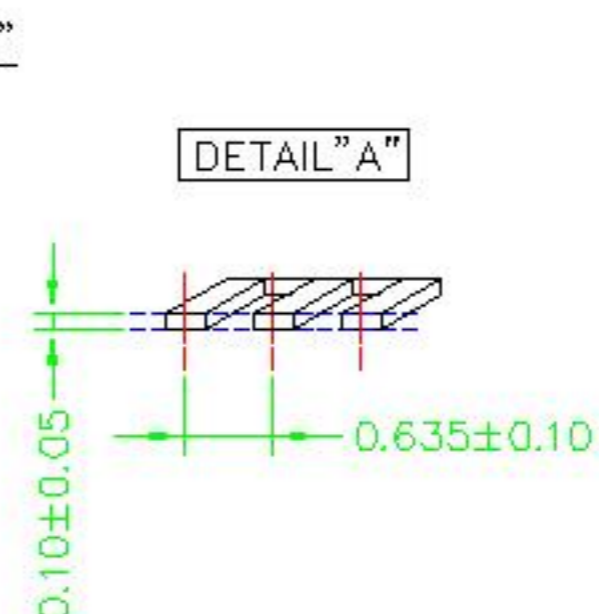
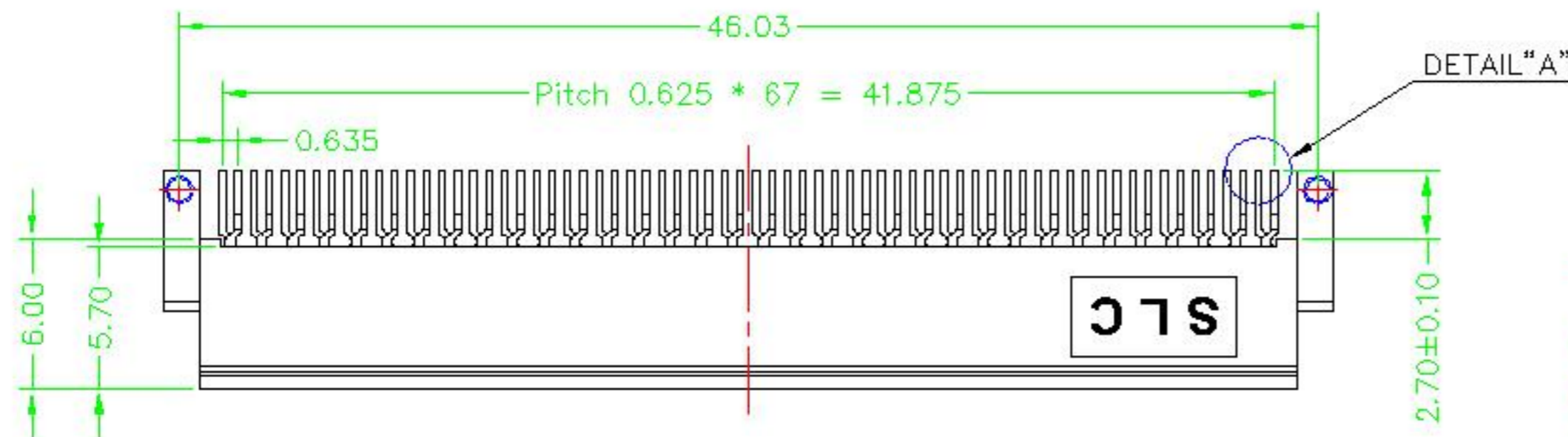
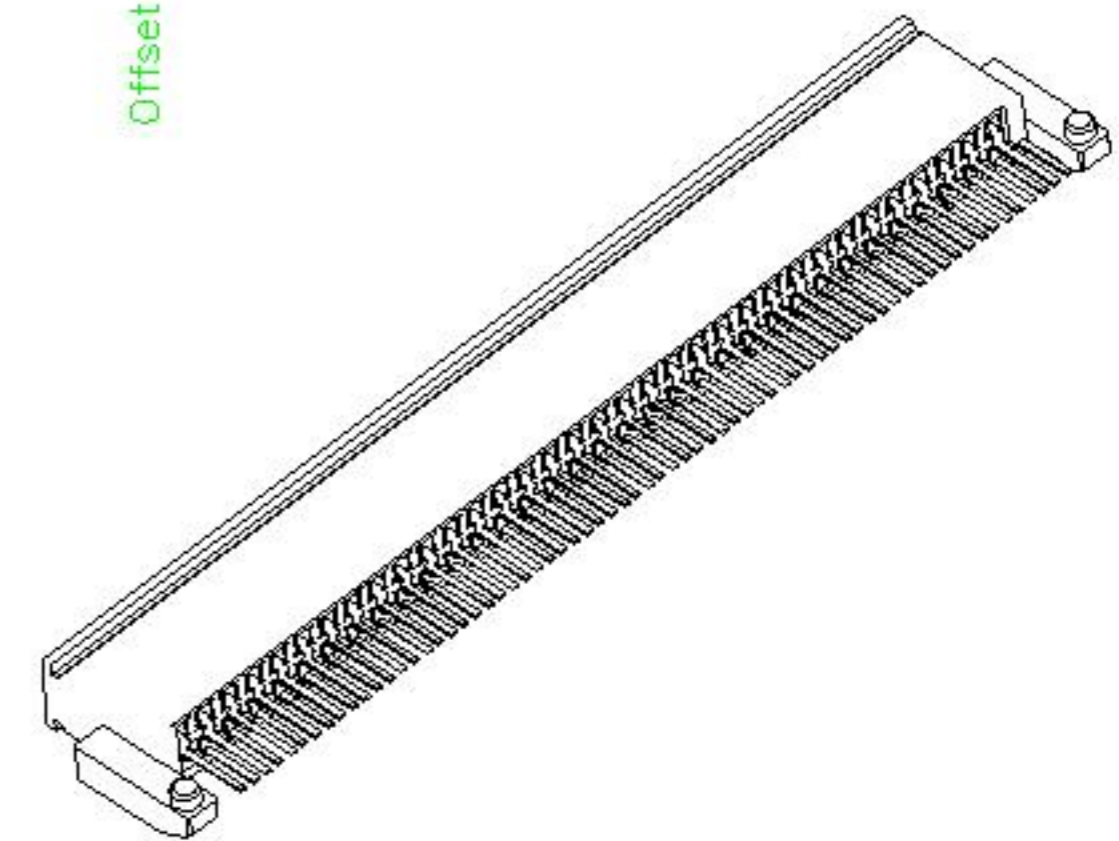


REV.	DESCRIPTION	DATE
A	RELEASE	04 / 10 / 2002



**NOTE**

- A. Material:
- Housing : HTN or LCP, UL94V-0, Black.
  - Contact : Phosphor Bronze C5210RH, T=0.10mm
- B. Plating
- Contact : Underplating 50u" min Nickel. Contact area Selective AU over Nickel plated. Solder tail 100u" min Sn over Nockel plated.



TOLERANCE	DRAWER <i>Chin Chun Liu</i>	<b>SLC</b> Sun-Light Electronic Technologies Inc.
.X ±0.125	CHECK <i>Phi Fung Liu</i>	
.XX ±0.050	DESIGNED <i>Chin Chun Liu</i>	NAME PCMCIA 68pin post engineer SMT TYPE
.XXX ±0.010	APPROVAL <i>Kuo Fong Liu</i>	Offset = 0.60
UNITS : mm	DATE 05/24/2002	DRAW NO. <b>8690-S6B68X-0</b>
SCALE 2.5 : 1	SIZE A4	SHEET 1 OF 1
		REV. A