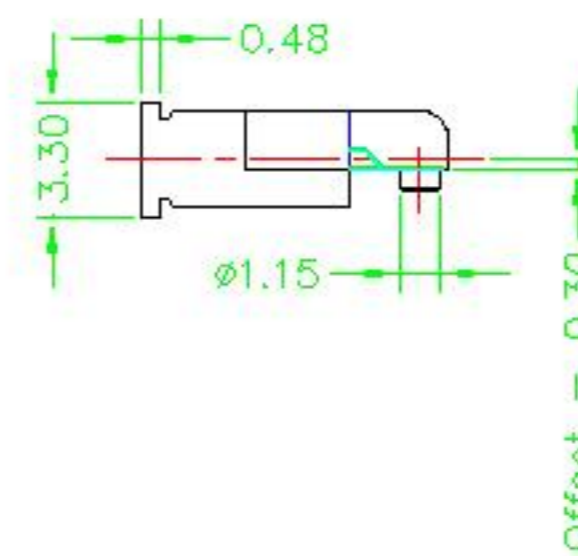
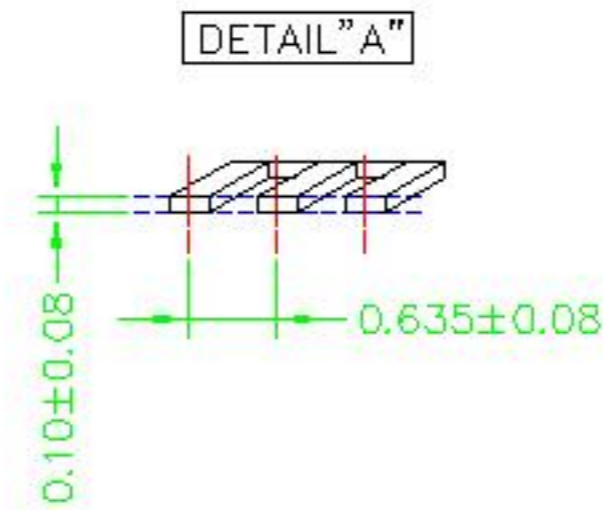
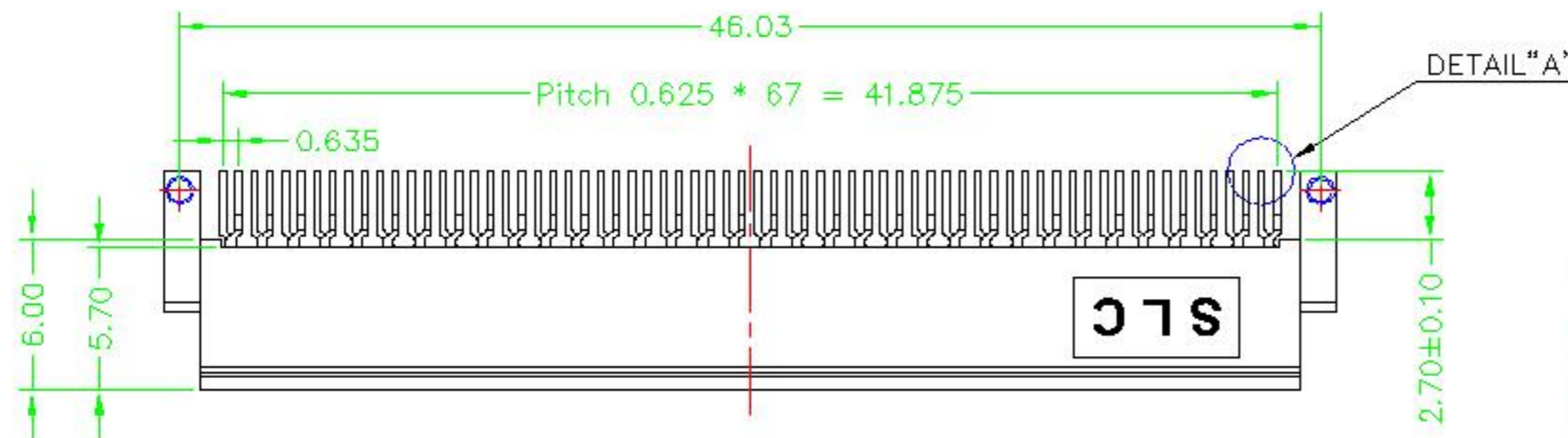
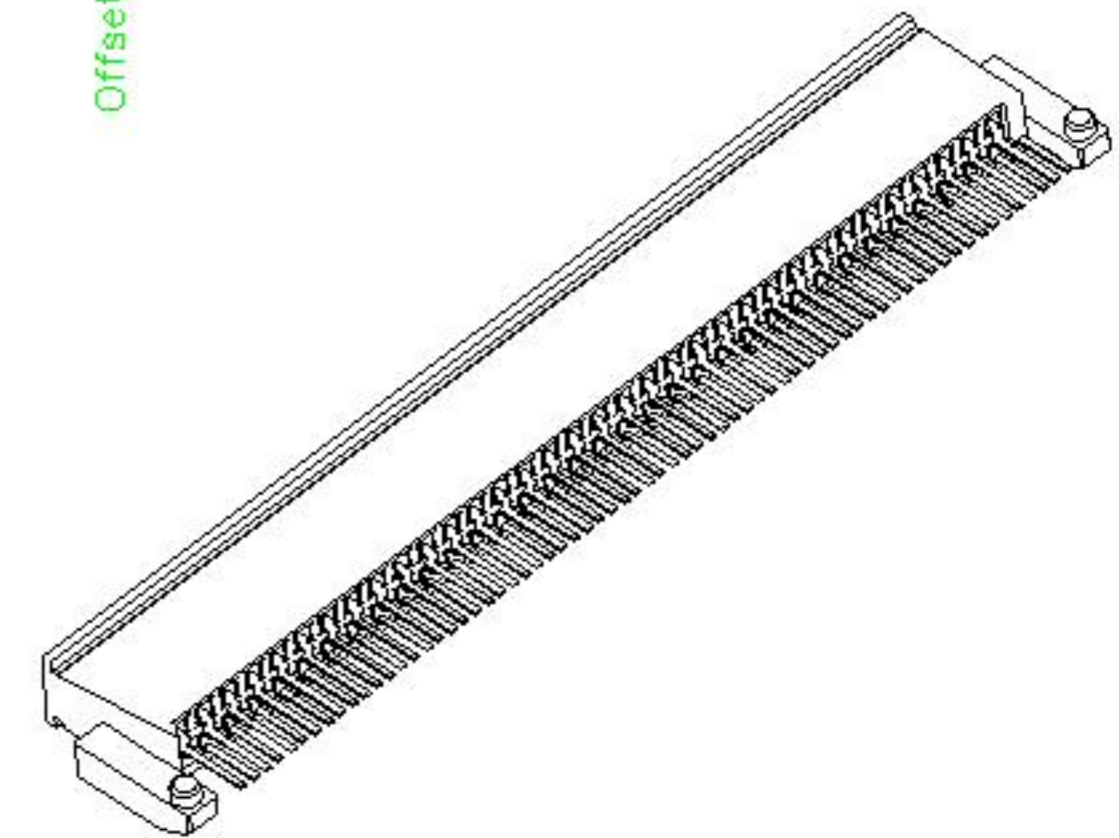
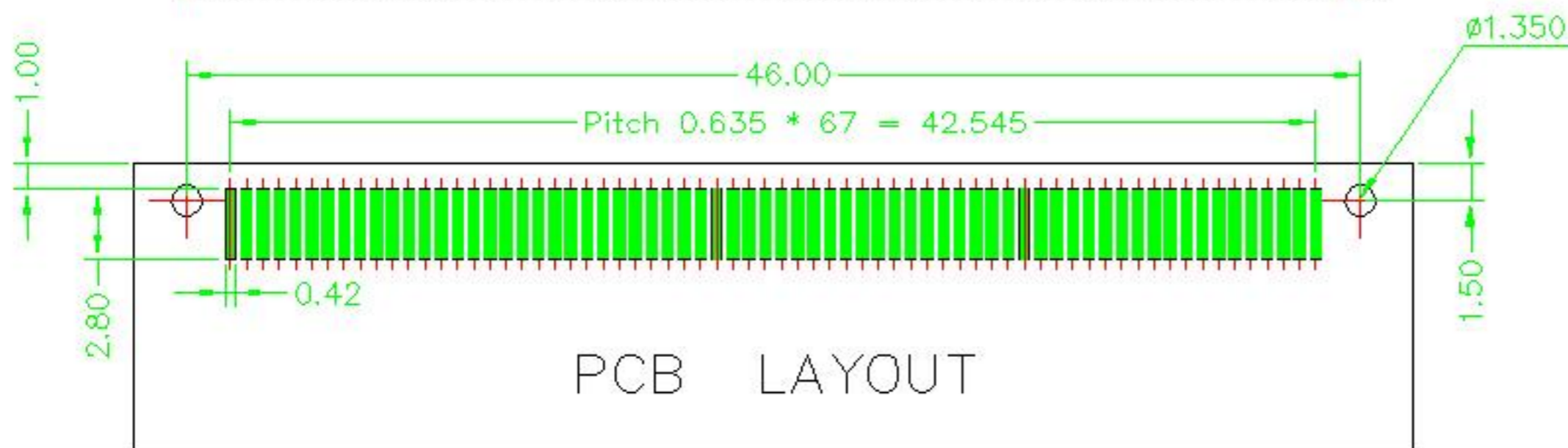
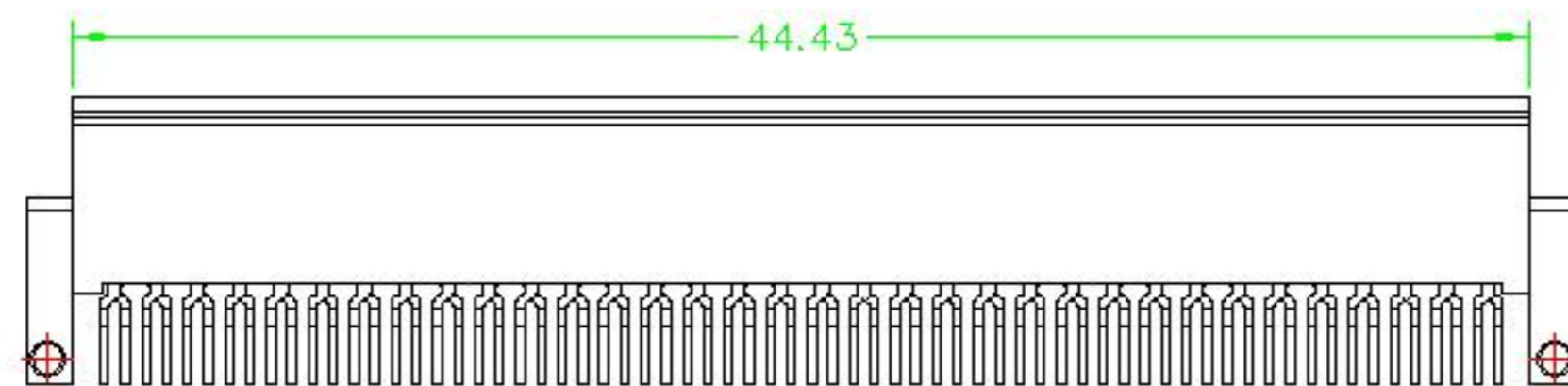
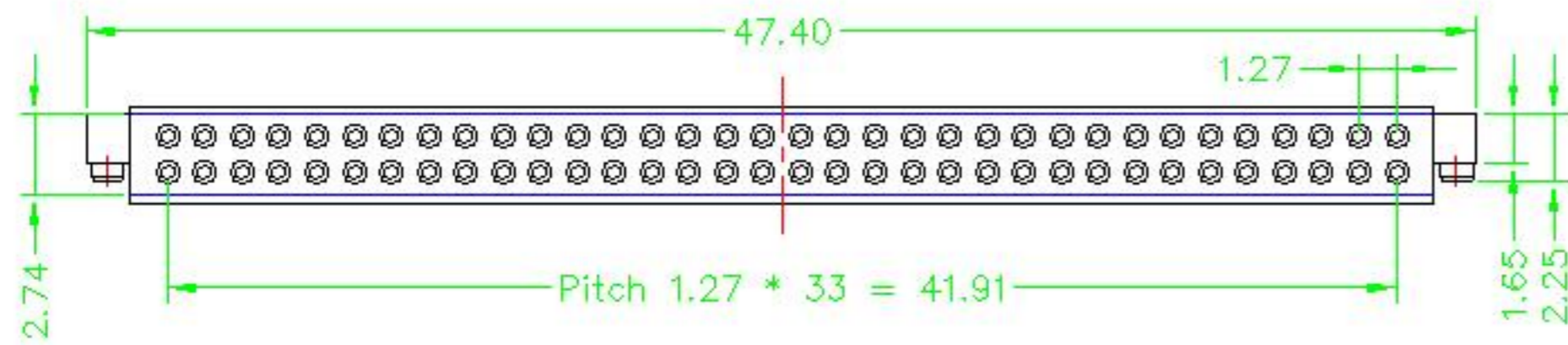


REV.	DESCRIPTION	DATE
A	RELEASE	04 / 01 / 2002



NOTE

- A. Material:
- Housing : HTN or LCP, UL94V-0, Black.
 - Terminal : 0.10mm Thick Phosphor Bronze
- B. Plating
- Contact : Underplating 50u" min Nickel.
Contact area Selective AU over Nickel plated.
Solder tail 100u" min Sn over Nickel plated.



TOLERANCE	DRAWER	SLC
.X ±0.125	<i>Chi Tung Liu</i>	
.XX ±0.050	CHECK	Sun-Light Electronic Technologies Inc.
.XXX±0.010	<i>Haw Feng Liu</i>	NAME
	DESIGNED	PCMCIA 68pin post engineer SMT TYPE
	<i>Chin Chun Liu</i>	Offset = 0.30
UNITS : mm	APPROVAL	DRAW NO.
SCALE	<i>Haw Feng Liu</i>	8690-S3B68X-0
2.5 : 1	DATE	SHEET
	05/24/2002	1 OF 1
	SIZE	REV.
	A4	A