



China Machinery & Equipment Imp. & Exp. Suzhou Co., Ltd

ADD: No. 659 Jin Men Road, Suzhou, China
Tel: 0086-512-65328606

Post Code: 215004
Fax: 0086-512-65561808

Website: <http://www.cmecsz.com>
E-mail: jeromeshen@vip.163.com

AC Shaded Pole Geared Motors

YJF-FA

Features:

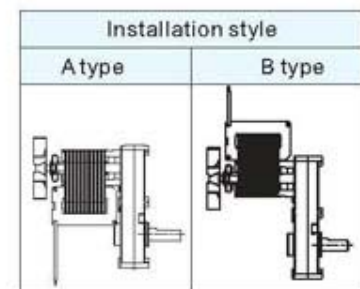
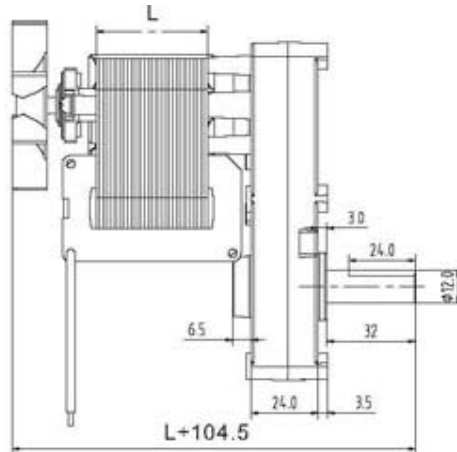
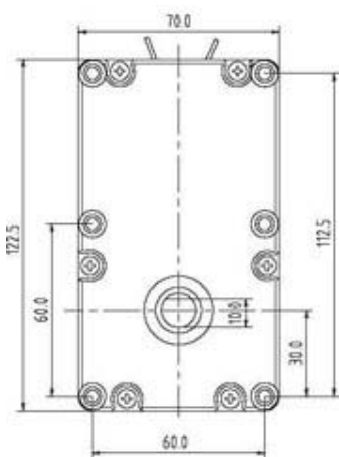
- Variable Speed with low noise
- High Torque for low speed
- Needle Bearing and ball Bearing if optional for long life
- Impedance Protected or Thermal Protected

Applications:

- Commercial Grills, Ovens, Rotisseries, Water Treatment Equipment
- Peristaltic Pump, Household Appliances etc.



Drawing



- Other shaft available
- More detailed product information, feel free to contact our sales department:

Specification

ITEM	DATA	
Rated Voltage (V)	110	220
Rated Frequency (Hz)	50/60	
Input Power (W)	16-50	
Output Power (W)	3-12	
Noise (db)	<65	
Rotate direction	CW OR CCW (uncontrollable)	
Model	YJF61/YJF64/YJF72	

Safety

ITEM	DATA
Insulation resistance	DC500V 100M Ohms
Insulation Str.	AC1500V 50Hz/min(220V motor)
Insulation class	E(105°C)/B(130°C)
Environment	Temp: -10°C ~ +40°C/Humidity: <85%
Protection	Impedance or overheating protection
Certification	

Speed & Torque

Gear Ratio		1/39	1/54	1/80	1/111	1/150	1/208	1/556	1/859	1/1312	1/1810	1/2457
Rated Speed at 50Hz (RPM)		72	52	35	25.2	18.7	13.5	5	3.3	2.1	1.5	1.1
Rated Torque at different Stator Length (kgf.cm)	L=16mm	3.5	4.8	7.1	9.9	13.3	18.5	42	76	110	160	200
	L=20mm	4.5	6	8.9	12.3	16.5	23.1	55	95	135	200	230
	L=25mm	6	9	13.3	18.5	25	34.7	85	140	185	250	300
	L=30mm	8	12	17.5	24.7	33.4	46.3	170	185	250	300	300
	L=40mm	13.6	18	27	37	46	65	200	220	300	300	300

© Above datas are for motors under 50Hz and height of stator is 40mm. If under 60Hz SpeedX1.2, Torque /1.2

© Other speed and torque needed please contact our sales department

AC Shaded Pole Geared Motors

YJF-FB

Features:

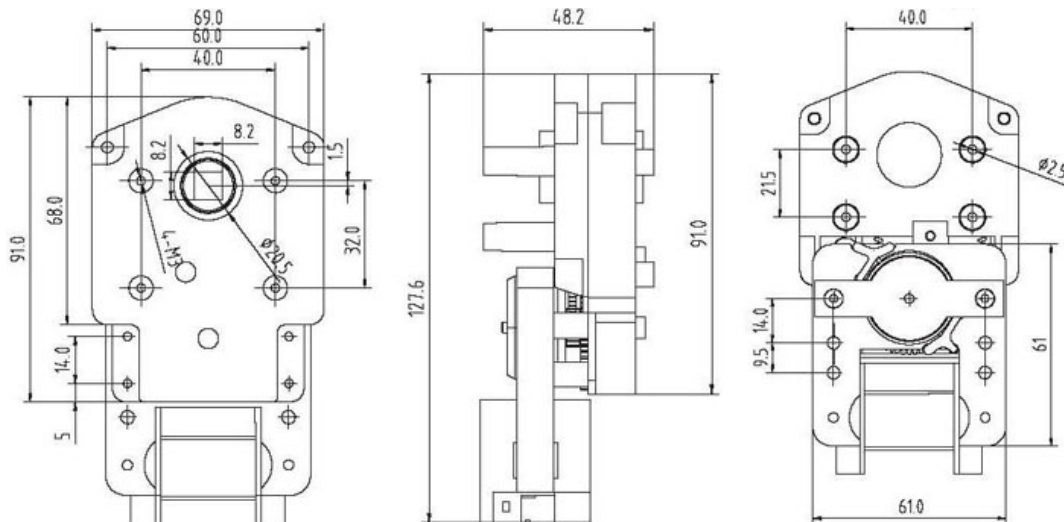
Variable Speed with low noise
High Torque for low speed
Impedance Protected or Thermal Protected

Applications:

Commercial Grills, Ovens, Rotisseries, Water Treatment Equipment
Peristaltic Pump, Household Appliances etc.




Drawing



Specification

ITEM	DATA	
Rated Voltage (V)	110	220
Rated Frequency (Hz)	50/60	
Input Power (W)	10-16	
Output Power (W)	2-3	
Noise (db)	<55	
Rotate direction	CW OR CCW (uncontrollable)	
Model	YJF61	

Safety

ITEM	DATA
Insulation resistance	DC500V 100M Ohms
Insulation Str.	AC1500V 50Hz/min(220V motor)
Insulation class	E(105°C)/B(130°C)
Environment	Temp: -10°C ~ +40°C/Humidity: <85%
Protection	Impedance or overheating protection
Certification	

Speed & Torque

Speed (RPM)	Working Style	5					
Torque (kgf.cm)	S1 continuous	35/30.5					
	S2 15 minutes						
	S2 5 minutes						

© Above datas are for motors under 50Hz and height of stator is 40mm. If under 60Hz SpeedX1.2, Torque /1.2

© Other speed and torque needed please contact our sales department



China Machinery & Equipment Imp. & Exp. Suzhou Co., Ltd

ADD: No. 659 Jin Men Road, Suzhou, China
Tel: 0086-512-65328606

Post Code: 215004
Fax: 0086-512-65561808

Website: <http://www.cmecsz.com>
E-mail: jeromeshen@vip.163.com

AC Shaded Pole Geared Motors

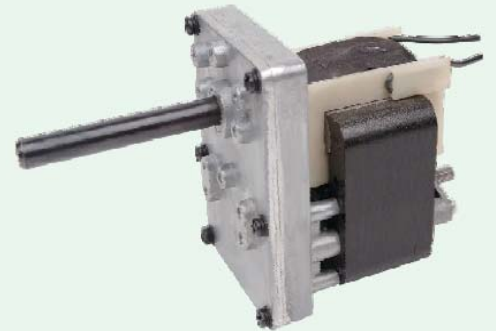
YJF-FC

Features:

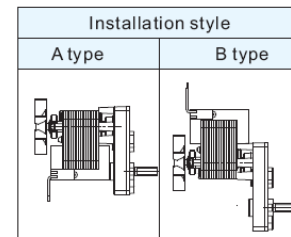
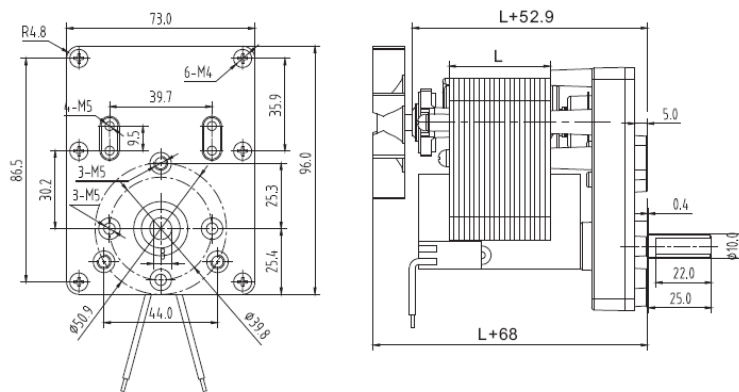
- Variable Speed with low noise
- High Torque for low speed
- Needle Bearing and ball Bearing if optional for long life
- Impedance Protected or Thermal Protected

Applications:

- Commercial Grills, Ovens, Rotisseries, Water Treatment Equipment
- Peristaltic Pump, Household Appliances etc.



Drawing



- Other shaft available
- More detailed product information, feel free to contact our sales department:

Specification

ITEM	DATA	
Rated Voltage (V)	110	220
Rated Frequency (Hz)	50/60	
Input Power (W)	16-50	
Output Power (W)	3-12	
Noise (db)	<65	
Rotate direction	CW OR CCW (uncontrollable)	
Model	YJF61/YJF64/YJF72	

Safety

ITEM	DATA
Insulation resistance	DC500V 100M Ohms
Insulation Str.	AC1500V 50Hz/min(220V motor)
Insulation class	E(105°C)/B(130°C)
Environment	Temp: -10°C ~ +40°C/Humidity: <85%
Protection	Impedance or overheating protection
Certification	

Speed & Torque

Gear Ratio		1/39	1/54	1/80	1/111	1/150	1/208		
Rated Speed at 50Hz (RPM)		72	52	35	25.2	18.7	13.5		
Rated Torque at different Stator Length (kgf.cm)	L=16mm	3.5	4.8	7.1	9.9	13.3	18.5		
	L=20mm	4.5	6	8.9	12.3	16.5	23.1		
	L=25mm	6	9	13.3	18.5	25	34.7		
	L=30mm	8	12	17.5	24.7	33.4	46.3		
	L=40mm	13.6	18	27	37	46	65		

© Above datas are for motors under 50Hz and height of stator is 40mm. If under 60Hz SpeedX1.2, Torque /1.2

© Other speed and torque needed please contact our sales department



China Machinery & Equipment Imp. & Exp. Suzhou Co., Ltd

ADD: No. 659 Jin Men Road, Suzhou, China
Tel: 0086-512-65328606

Post Code: 215004
Fax: 0086-512-65561808

Website: <http://www.cmecsz.com>
E-mail: jeromeshen@vip.163.com

AC Shaded Pole Geared Motors

YJF-FD

Featurers:

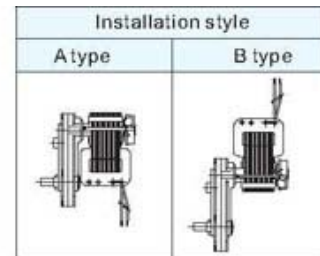
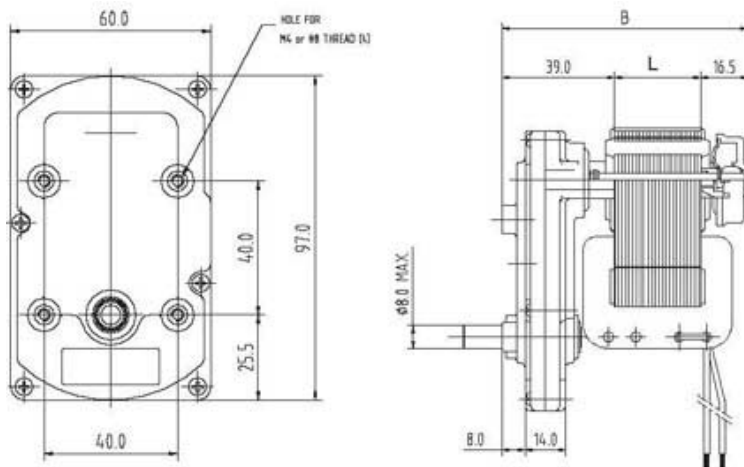
- Variable Sppeed with low noise
- High Torque for low speed
- Needle Bearing and ball Bearing if optional for long life
- Impedence Protected or Thermal Protected

Applications:

- Commerical Grills ,Ovens, Rotisseries, Water Treatment Equipment
- Peristaltic Pump, Household Appliances etc.



Drawing



- Other shaft available
- More detailed product information, feel free to contact our sales department:

Specification

ITEM	DATA	
Rated Voltage (V)	110	220
Rated Frequency (Hz)	50/60	
Input Power (W)	16-50	
Output Power (W)	3-12	
Noise (db)	<65	
Rotate direction	CW OR CCW (uncontrollable)	
Model	YJF61/YJF64/YJF72	

Safety

ITEM	DATA
Insulation resistance	DC500V 100M Ohms
Insulation Str.	AC1500V 50Hz/min(220V motor)
Insulation class	E(105°C)/B(130°C)
Environment	Temp: -10°C ~ +40°C/Humidity: <85%
Protection	Impedance or overheating protection
Certification	

Speed & Torque

Gear Ratio		1/51	1/106	1/130	1/270	1/390	1/482	1/600	1/670			
Rated Speed at 50Hz (RPM)		55	26.5	21.5	10	7.2	5.8	4.7	4.2			
Rated Torque at different Stator Length (kgf.cm)	L=16mm	4.5	9.2	11.5	22	33	40	55	55			
	L=20mm	5.6	11.6	14.5	29	42	50	60	70			
	L=25mm	8.4	17.5	21.5	43	62	70	80	90			
	L=30mm	11.2	23.3	28.8	50	85	90	100	100			
	L=40mm	17.3	36.5	44	70	100	100	100	100			

© Above datas are for motors under 50Hz and height of stator is 40mm. If under 60Hz SpeedX1.2, Torque /1.2

© Other speed and torque needed please contact our sales department



China Machinery & Equipment Imp. & Exp. Suzhou Co., Ltd

ADD: No. 659 Jin Men Road, Suzhou, China
Tel: 0086-512-65328606

Post Code: 215004
Fax: 0086-512-65561808

Website: <http://www.cmecsz.com>
E-mail: jeromeshen@vip.163.com

AC Shaded Pole Geared Motors

YJF-FE

Features:

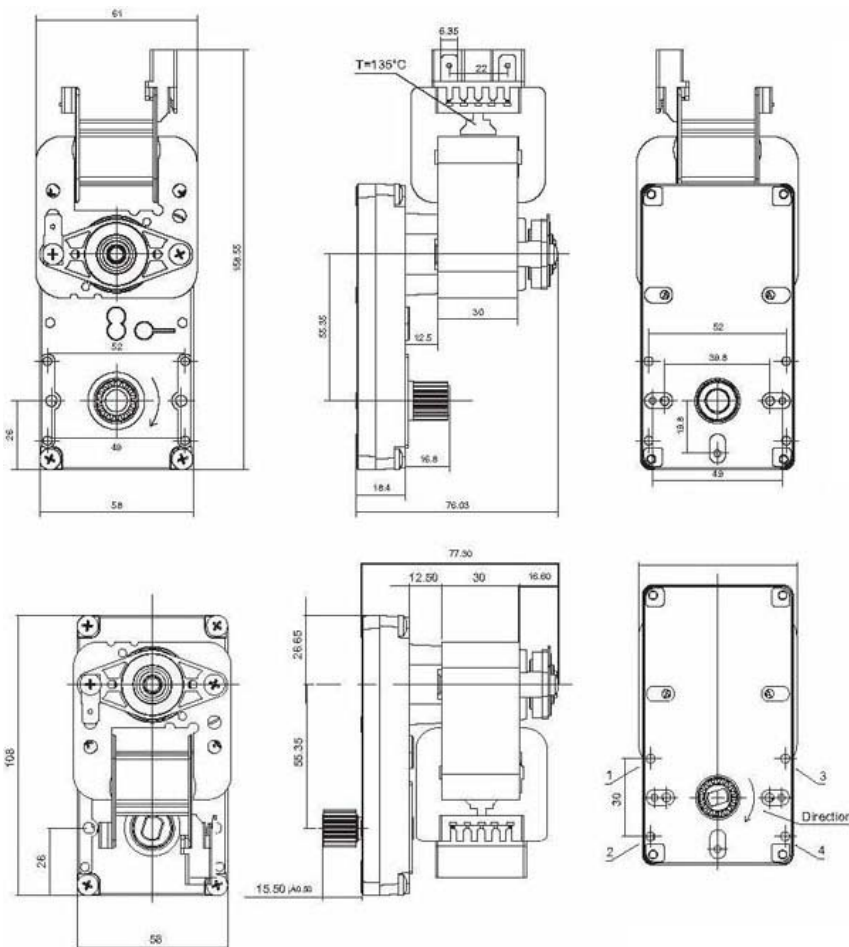
- Variable Sped with low noise
- High Torque for low speed
- Needle Bearing and ball Bearing if optional for long life
- Impendence Protected or Thermal Protected

Applications:

- Vending Machine, Water Treatment Equipment
- Peristaltic Pump, Household Appliances etc.



Drawing



Specification

ITEM	DATA
Rated Voltage (V)	110-230
Rated Frequency (Hz)	50/60
Input Power (W)	16-100
Output Power (W)	3-15
Noise (db)	<65
Rotate direction	CW OR CCW
Model	YJF61/YJF64
Gear Ratio	1:33
Output Speed (RPM)	85